



LOT Two-hole mixer with cover plate - Champagne (22kt Gold)

LOT

32 843 680



- 235mm projection
- pivotable spout 360°
- air-enriched flow
- height of mixer 345 mm
- height up to aerator 319 mm
- cover plate 126 x 55 mm
- hole diameter spout 35 mm
- single-lever mixer hole diameter 44 mm
- gauge 71 mm
- max. flow 8 l/min at 3 bar flow pressure
- lead-free
- WRAS 1909073
- This product can help a building meet the requirements of Green Building Rating Systems, e.g. LEED®, BREEAM®, DGNB

	Champagne (22kt Gold)	32 843 680-47
	Chrome	32 843 680-00
	Brushed Platinum	32 843 680-06
	Platinum	32 843 680-08
	Dark Chrome	32 843 680-19
	Brushed Durabronze (23kt Gold)	32 843 680-28
	Brushed Champagne (22kt Gold)	32 843 680-46
	Brushed Dark Platinum	32 843 680-99

Recommended miscellaneous

Dispenser with rosette - Champagne (22kt Gold)

82 439 970-47



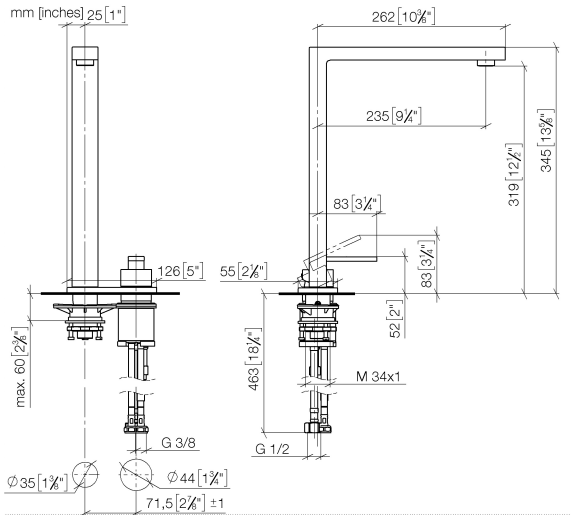
Recommended miscellaneous

Strainer waste with control handle - Champagne (22kt Gold)

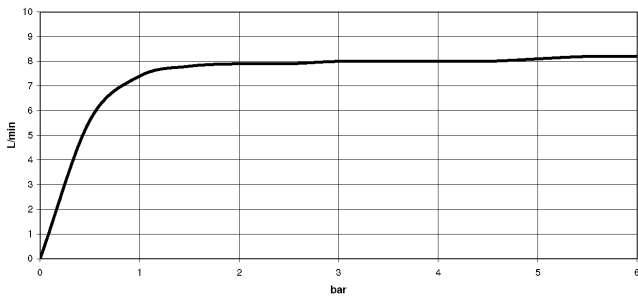
10 711 970-47



32 843 680



Flow rate chart



Codes & Standards

DIN 4109

Executive Order
no. 1007

ISO 3822

Ü-Zeichen



LOT Two-hole mixer with cover plate - Champagne (22kt Gold)

LOT

32 843 680

Certificates

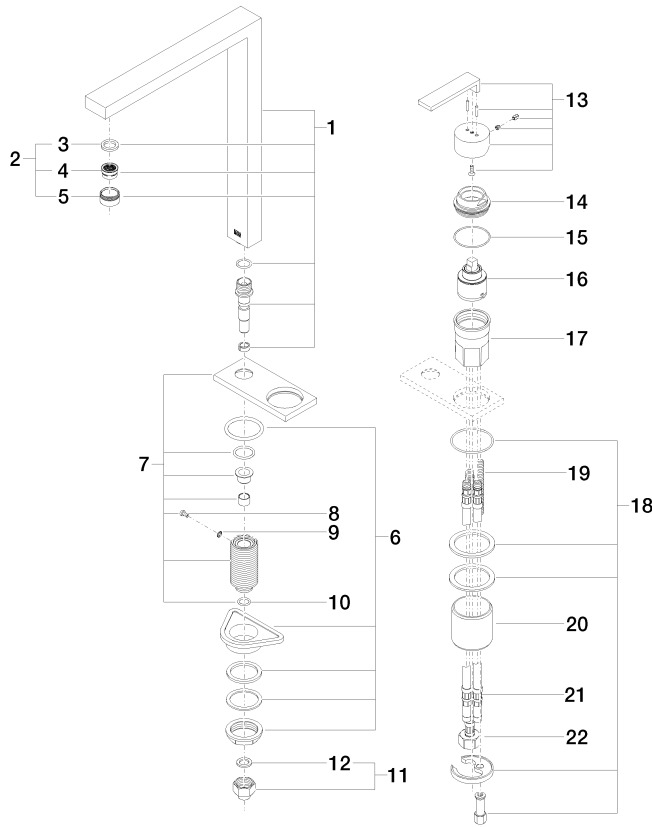
LGA_18

GDV_0400

32 843 680

Product version from 6/1/2022

Parts for other finishes can be found here: Chrome





LOT Two-hole mixer with cover plate - Champagne (22kt Gold)

LOT

32 843 680

Spare parts list

Product version from 6/1/2022