



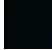
EDITION PRO GRANDE Single-lever basin mixer with pop-up waste - Brushed Chrome

33 502 626



- 130mm projection
- fixed spout
- circular, air-enriched flow
- height of mixer 142 mm
- height up to aerator 52 mm
- hole diameter 35 mm
- 2x screw-in M 10 x 1 pressure hose, leak-tested
- max. flow 7 l/min
- lead-free
- WRAS 1805123

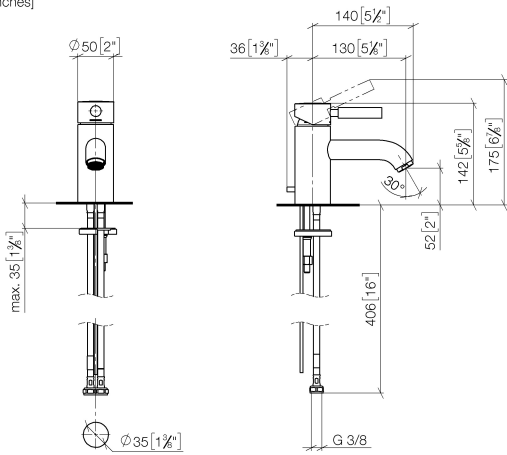
Only suitable for basins with an overflow.

	Brushed Chrome	33 502 626-93
	Chrome	33 502 626-00
	Matte Black	33 502 626-33



EDITION PRO GRANDE Single-lever basin mixer with pop-up waste - Brushed Chrome

33 502 626
mm [inches]



Flow rate chart



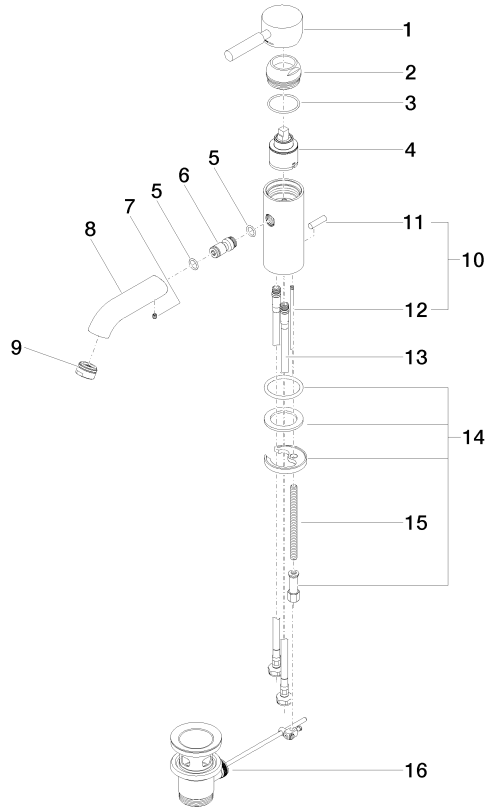
Certificates

WRAS_1805123. LGA_9389.

EDITION PRO GRANDE Single-lever basin mixer with pop-up waste - Brushed Chrome

33 502 626

Parts for other finishes can be found here: [Chrome](#)



Spare parts list

No.	Item Number	Name	Quantity used	Delivery time
1	90 20 62 047 00-93	handle	1	20
2	09 28 30 016-93	cover	1	20
3	09 14 10 134 90	seal	1	2
4	90 15 05 045 00 90	cartridge	1	2
5	09 14 10 003 90	seal	1	2
6	09 24 04 025 10 90	nipple	1	2
7	90 31 11 030 00 90	pin	1	2
8	09 11 06 063 10-93	spout	1	20
9	90 23 01 118 01-93	aerator	1	-
Spare part can no longer be ordered, please order the replacement item				
11	04 20 62 030 80-93	pull-rod	1	20
12	09 20 62 030-93	handle	1	20
13	09 31 09 080-93	pull-rod	1	20
14	04 30 04 104 00 90	hose	2	2
15	04 30 11 038 00 90	fixing set	1	2
16	09 31 11 012 90	pin	1	2
17	90 11 01 001 00-93	pop-up waste	1	20