

LISSÉ Single-lever basin mixer with raised base with pop-up waste - Brushed Chrome



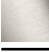




LISSÉ

33 506 845



- 130mm projection
- fixed spout
- circular, air-enriched flow
- height of mixer 236 mm
- height up to aerator 185 mm
- hole diameter 35 mm
- 2x screw-in M 8 x 1 pressure hose, leak-tested
- max. flow 5.7 l/min
- lead-free
- This product can help a building meet the requirements of Green Building Rating Systems, e.g. LEED®, BREEAM®, DGNB
- WRAS 1906074

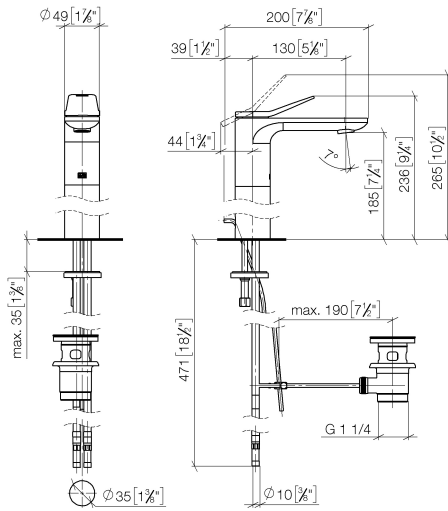
Only suitable for basins with an overflow.

	Brushed Chrome	33 506 845-93
	Chrome	33 506 845-00
	Brushed Platinum	33 506 845-06
	Dark Chrome	33 506 845-19
	Brushed Light Gold	33 506 845-27
	Matte Black	33 506 845-33
	Brushed Dark Platinum	33 506 845-99

LISSÉ Single-lever basin mixer with raised base with pop-up waste - Brushed Chrome

LISSÉ

33 506 845
mm [inches]



Flow rate chart



Codes & Standards

DIN 4109

Executive Order
no. 1007

ISO 3822

Scottish Water
Byelaws

UK Water Supply
Regulations

Ü-Zeichen



LISSÉ Single-lever basin mixer with raised base with pop-up waste - Brushed Chrome

LISSÉ

33 506 845

Certificates

WRAS_1906

GDV_0400

LGA_29

LISSÉ Single-lever basin mixer with raised base with pop-up waste - Brushed Chrome

LISSÉ

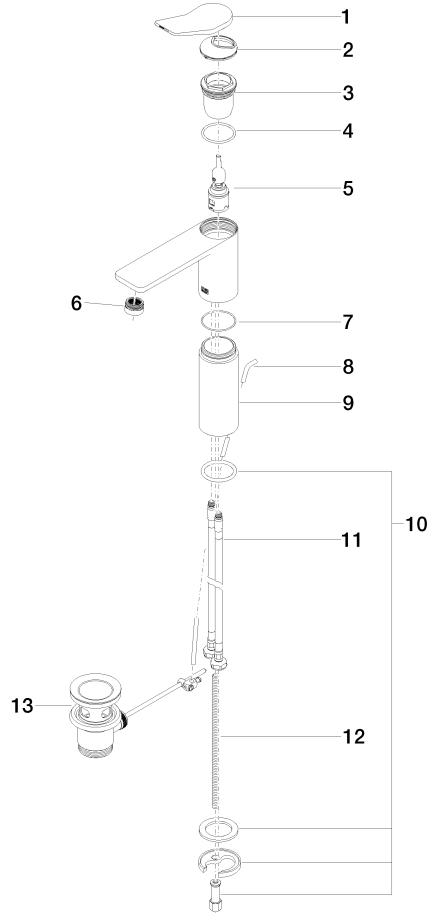
33 506 845

Product version from 3/9/2016 to 10/31/2018

Product version from 10/31/2018 to 5/3/2021

Product version from 5/1/2021

Parts for other finishes can be found here: [Chrome](#)





LISSÉ Single-lever basin mixer with raised base with pop-up waste - Brushed Chrome

LISSÉ

33 506 845

Spare parts list

Product version from 3/9/2016 to 10/31/2018

Product version from 10/31/2018 to 5/3/2021

Product version from 5/1/2021

No.	Item Number	Name	Quantity used	Delivery time
	90 20 84 020 00-93	handle	14	20