



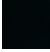


EDITION PRO Single-lever basin mixer without pop-up waste - Brushed Chrome

33 526 626

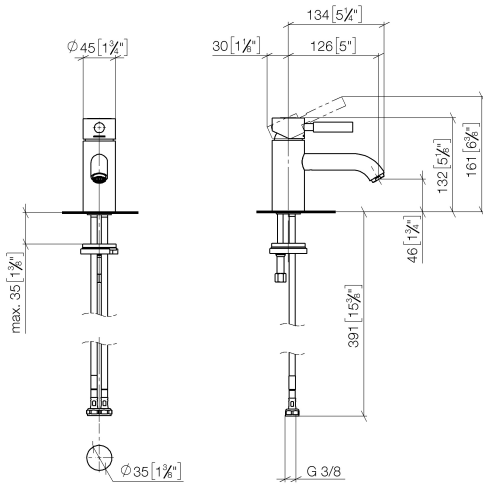


- 126mm projection
- fixed spout
- circular, air-enriched flow
- height of mixer 132 mm
- height up to aerator 46 mm
- hole diameter 35 mm
- 2x screw-in M 10 x 1 pressure hose, leak-tested
- max. flow 7 l/min
- lead-free
- WRAS 240502020, 1807097

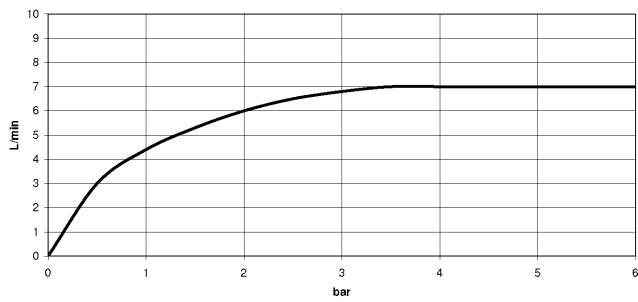
| | | |
|---|----------------|---------------|
|  | Brushed Chrome | 33 526 626-93 |
|  | Chrome | 33 526 626-00 |
|  | Matte Black | 33 526 626-33 |

EDITION PRO Single-lever basin mixer without pop-up waste - Brushed Chrome

33 526 626
mm [inches]



Flow rate chart



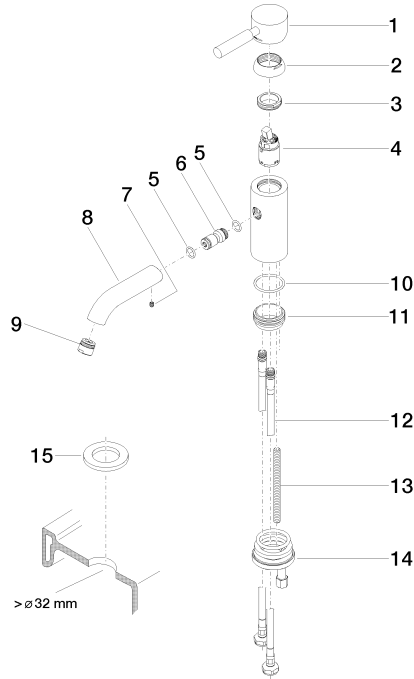
Certificates

LGA_9389.

WRAS_240502020.

EDITION PRO Single-lever basin mixer without pop-up waste - Brushed Chrome

33 526 626
Parts for other finishes can be found here: Chrome



Spare parts list

| No. | Item Number | Name | Quantity used | Delivery time |
|-----|--------------------|---|---------------|---------------|
| 1 | 90 20 62 046 00-93 | handle | 1 | 20 |
| 2 | 09 28 30 008-93 | cover | 1 | 20 |
| 3 | 09 24 04 130-07 | nut | 1 | 30 |
| 4 | 90 15 05 041 00 90 | cartridge | 1 | 2 |
| 5 | 09 14 10 003 90 | seal | 1 | 2 |
| 6 | 09 24 04 025 10 90 | nipple | 1 | 2 |
| 7 | 90 31 11 030 00 90 | pin | 1 | 2 |
| 8 | 09 11 06 059 10-93 | spout | 1 | 20 |
| 9 | 90 23 01 022 00-93 | aerator | 1 | 20 |
| 10 | 09 14 10 119 90 | seal | 1 | 2 |
| 11 | 09 28 10 109-07 | ring | 1 | 30 |
| 12 | 04 30 04 104 00 90 | hose | 2 | 2 |
| 13 | 09 31 11 012 90 | pin | 1 | 2 |
| 14 | 04 30 11 085 88 90 | fixing set | 1 | 2 |
| 15 | 12 730 970-93 | Rosette for tap hole cover - Brushed Chrome | 1 | 10 |