





DORNBRAUCHT YAMOU Single-lever basin mixer with raised base without pop-up waste - Soft Black

33 537 831



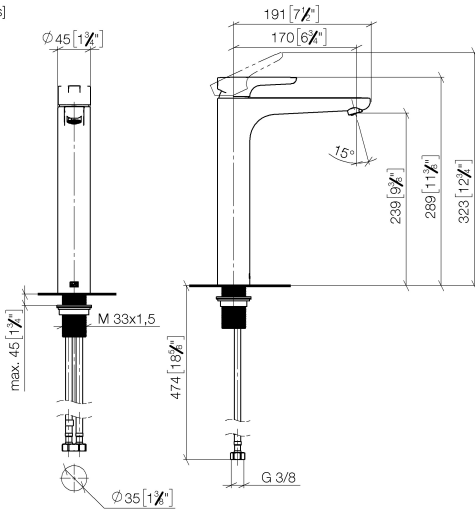
- 180mm projection
- fixed spout
- circular, air-enriched flow
- height of mixer 288 mm
- height up to aerator 239 mm
- hole diameter 35 mm
- 2x screw-in M 8 x 1 pressure hose, leak-tested
- max. flow 6.8 l/min
- WRAS 240104004

	Soft Black	33 537 831-69
	Chrome	33 537 831-00

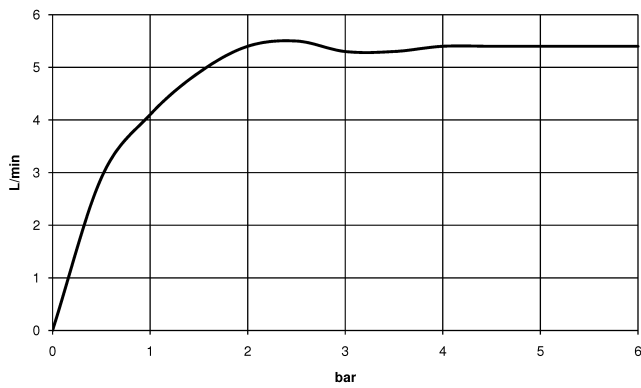


DORNBRACHT YAMOU Single-lever basin mixer with raised base without pop-up waste - Soft Black

33 537 831
mm [inches]



Flow rate chart



Codes & Standards

DIN 4109

ISO 3822

Scottish Water
Byelaws

UK Water Supply
Regulations

Ü-Zeichen

XP P 41-280



DORNBACHT YAMOU Single-lever basin mixer with raised base without pop-up waste - Soft Black

33 537 831

Certificates

WRAS_240104

ACS_23 ACC NY

AbP_10

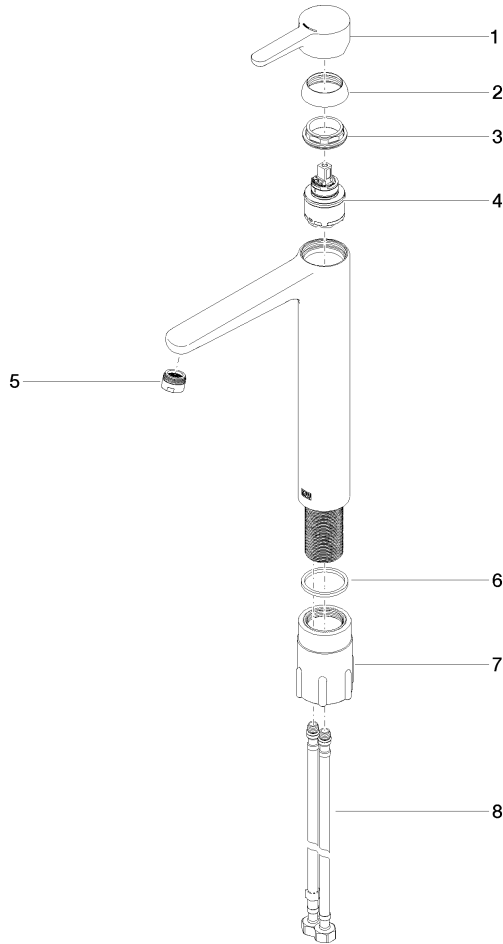


DORNBRACHT YAMOU Single-lever basin mixer with raised base without pop-up waste - Soft Black

33 537 831

Product version from 1/1/2023

Parts for other finishes can be found here: [Chrome](#)





DORNBACHT YAMOU Single-lever basin mixer with raised base without pop-up waste - Soft Black

33 537 831

Spare parts list

Product version from 1/1/2023

No.	Item Number	Name	Quantity used	Delivery time
	90 20 83 002 00-69	handle	8	2