

33 600 660

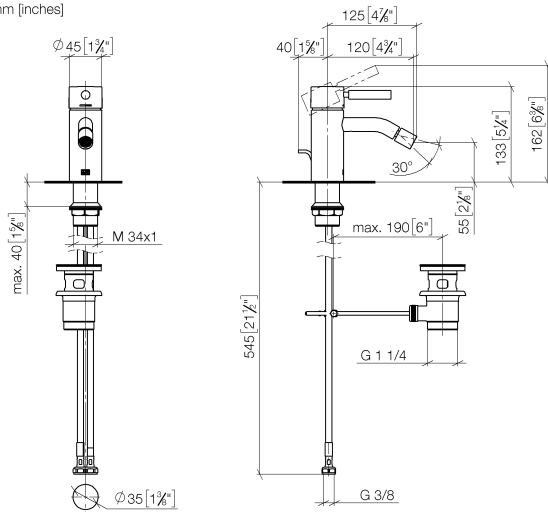


- 125mm projection
- ball-joint pivotable through 15° (in any direction)
- circular, air-enriched flow
- height of mixer 133 mm
- height up to aerator 55 mm
- hole diameter 35 mm
- 2x screw-in M 8 x 1 pressure hose, leak-tested
- max. flow 5.7 l/min
- WRAS 2003056

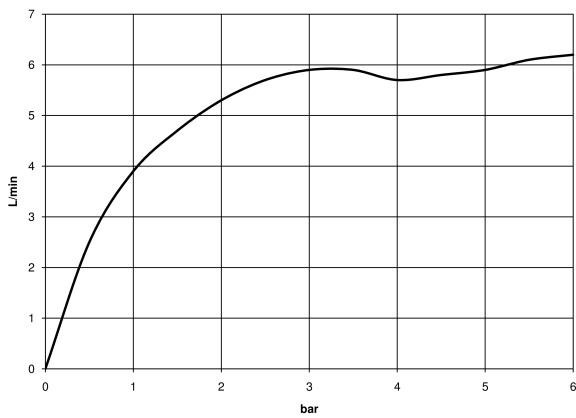
	Matte Black	33 600 660-33
	Chrome	33 600 660-00
	Brushed Platinum	33 600 660-06
	Dark Chrome	33 600 660-19
	Light Gold	33 600 660-26
	Brushed Light Gold	33 600 660-27
	Brushed Bronze	33 600 660-42
	Brushed Champagne (22kt Gold)	33 600 660-46
	Champagne (22kt Gold)	33 600 660-47
	Brushed Chrome	33 600 660-93
	Brushed Dark Platinum	33 600 660-99

33 600 660

mm [inches]



Flow rate chart

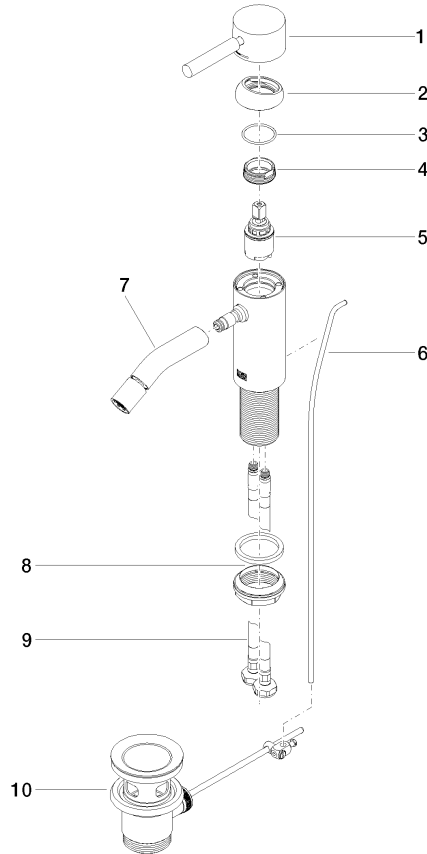


Certificates

WRAS_2003056. DVGW_DW-6506DN0128. IAPMO_4976 (1). LGA_29703.

33 600 660

Parts for other finishes can be found here: [Chrome](#)



Spare parts list

No.	Item Number	Name	Quantity used	Delivery time
1	90 20 66 002 00-33	handle	1	30
2	09 28 30 041-33	cover	1	30
3	09 14 10 091 90	seal	1	2
4	09 24 04 266 90	nut	1	2
5	90 15 05 044 00 90	cartridge	1	2
6	09 31 09 110-33	pull-rod	1	30
7	90 11 06 209 00-33	spout	1	30
8	04 23 10 044 07 90	fixing set	1	2
9	04 30 04 101 00 90	hose	2	2
10	90 11 01 001 00-33	pop-up waste	1	30