

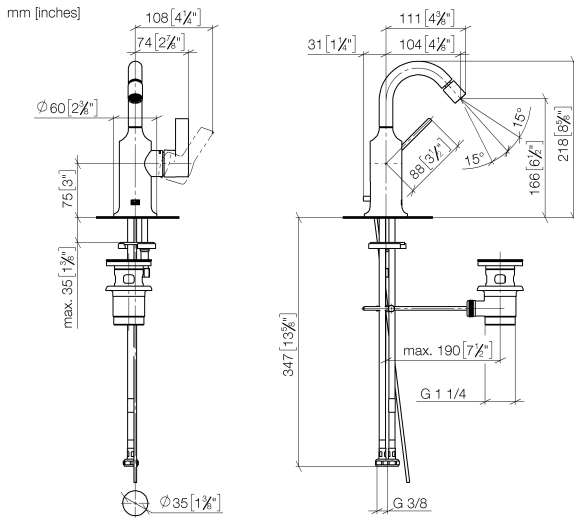
33 600 809



- 104mm projection
- ball-joint pivotable through 15° (in any direction)
- circular, air-enriched flow
- height of mixer 218 mm
- height up to aerator 166 mm
- hole diameter 35 mm
- rosette Ø 60 mm
- 2x screw-in M 10 x 1 pressure hose, leak-tested
- max. flow 5.7 l/min
- lead-free
- WRAS 240202026

	Brushed Dark Platinum	33 600 809-99
	Chrome	33 600 809-00
	Brushed Platinum	33 600 809-06
	Platinum	33 600 809-08
	Dark Chrome	33 600 809-19
	Brushed Durabronze (23kt Gold)	33 600 809-28
	Brushed Champagne (22kt Gold)	33 600 809-46
	Champagne (22kt Gold)	33 600 809-47

33 600 809



Flow rate chart

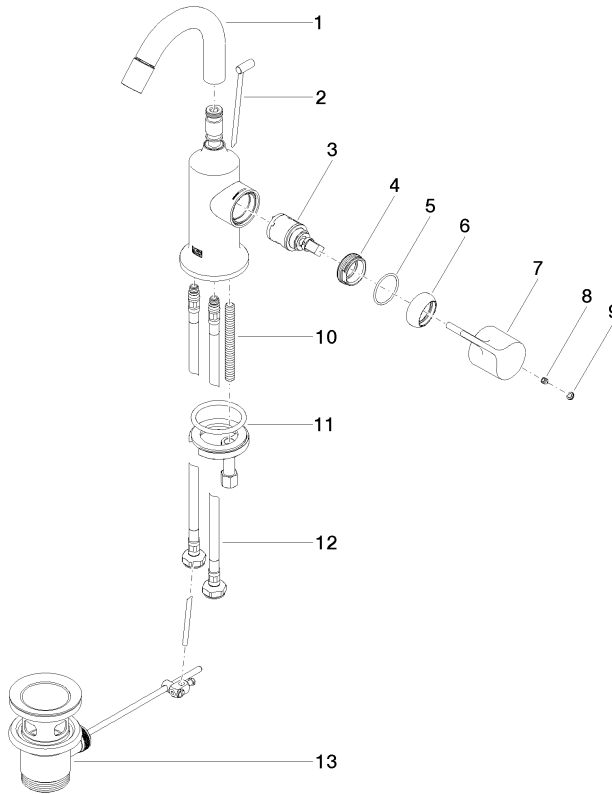


Certificates

WRAS_1804054. LGA_38659. WRAS_240202026.

33 600 809

Parts for other finishes can be found here: [Chrome](#)



Spare parts list

No.	Item Number	Name	Quantity used	Delivery time
1	90 28 22 314 00-99	spout	1	30
2	04 20 89 035 80-99	pull-rod	1	30
3	90 15 05 042 00 90	cartridge	1	2
4	09 24 04 266 90	nut	1	2
5	09 14 10 091 90	seal	1	2
6	09 28 30 021-99	cover	1	30
7	09 20 80 020-99	handle	1	30
8	90 31 11 030 00 90	pin	1	2
9	90 31 20 087 00-99	plug	1	30
10	09 31 11 011 90	pin	1	2
11	04 30 11 038 00 90	fixing set	1	2
12	04 30 04 100 00 90	hose	2	2
13	90 11 01 001 00-99	pop-up waste	1	30