

**MEM Single-lever mixer - Brushed Champagne (22kt Gold)**

MEM

33 800 682



- 201mm projection
- pivotable spout 360°
- Optional swivel limiter available with swivel limiter set 12 820 970 90
- air-enriched flow
- max. flow 6.3 l/min at 3 bar flow pressure
- lead-free
- This product can help a building meet the requirements of Green Building Rating Systems, e.g. LEED®, BREEAM®, DGNB
- WRAS 240202021

|   |                               |               |
|---|-------------------------------|---------------|
|    | Brushed Champagne (22kt Gold) | 33 800 682-46 |
|    | Chrome                        | 33 800 682-00 |
|    | Brushed Platinum              | 33 800 682-06 |
|    | Platinum                      | 33 800 682-08 |
|    | Durabass (23kt Gold)          | 33 800 682-09 |
|    | Dark Chrome                   | 33 800 682-19 |
|    | Brushed Durabass (23kt Gold)  | 33 800 682-28 |
|    | Matte Black                   | 33 800 682-33 |
|    | Champagne (22kt Gold)         | 33 800 682-47 |
|   | Brushed Chrome                | 33 800 682-93 |
|  | Brushed Dark Platinum         | 33 800 682-99 |

**Recommended miscellaneous**



**Swivel limitation set -** 12 820 970 90

**Recommended miscellaneous**



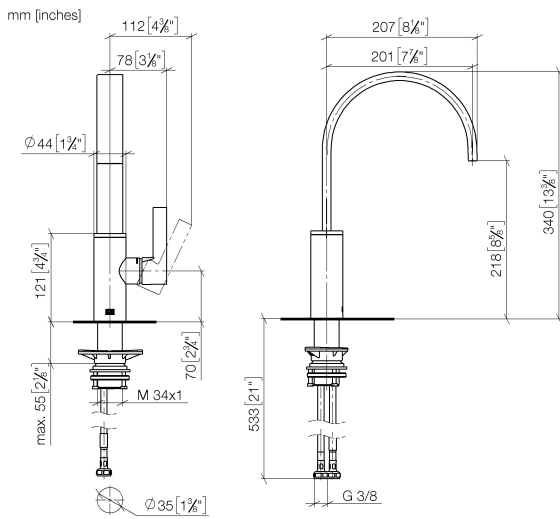
**Dispenser without rosette -  
Brushed Champagne (22kt Gold)** 82 424 970-46

**Recommended miscellaneous**

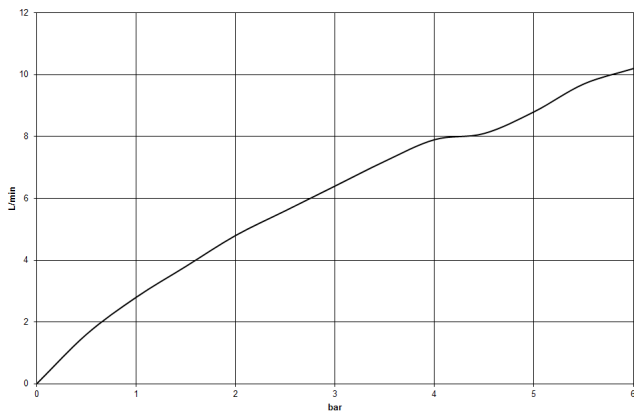


**Strainer waste with control handle  
- Brushed Champagne (22kt Gold)** 10 712 970-46

33 800 682



**Flow rate chart**

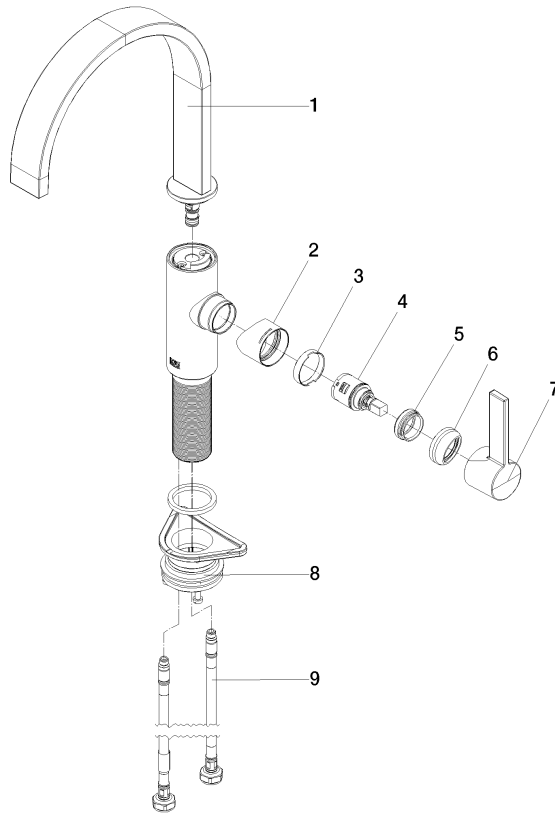


**Certificates**

LGA\_38646.

WRAS\_240202021.

33 800 682



**Spare parts list**

| No.  | Item Number        | Name       | Quantity used | Delivery time |
|--|--------------------|------------|---------------|---------------|
| 1  | 90 28 22 332 00-46 | spout      | 1             | -             |
| Spare part can no longer be ordered, please order the replacement item |                    |            |               |               |
| 2  | 09 19 86 012-46    | cover      | 1             | 60            |
| 3  | 90 23 10 128 00 90 | nut        | 1             | 2             |
| 4  | 90 15 05 042 00 90 | cartridge  | 1             | 2             |
| 5  | 09 24 04 266 90    | nut        | 1             | 2             |
| 6  | 90 28 30 052 00-46 | cover      | 1             | 30            |
| 7  | 90 20 86 004 00-46 | handle     | 1             | 30            |
| 8  | 04 23 10 044 08 90 | fixing set | 1             | 2             |
| 9  | 04 30 04 101 00 90 | hose       | 2             | 2             |