






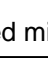


33 800 861



- 200mm projection
- pivotable spout 360°
- Optional swivel limiter available with swivel limiter set 12 820 970 90
- air-enriched flow
- max. flow 8 l/min at 3 bar flow pressure
- lead-free
- This product can help a building meet the requirements of Green Building Rating Systems, e.g. LEED®, BREEAM®, DGNB
- WRAS 240102021

	Brushed Chrome	33 800 861-93
	Chrome	33 800 861-00
	Brushed Platinum	33 800 861-06
	Platinum	33 800 861-08
	Durabrand (23kt Gold)	33 800 861-09
	Dark Chrome	33 800 861-19
	Brushed Durabrand (23kt Gold)	33 800 861-28
	Matte Black	33 800 861-33
	Brushed Champagne (22kt Gold)	33 800 861-46
	Champagne (22kt Gold)	33 800 861-47
	Brushed Dark Platinum	33 800 861-99

Recommended miscellaneous

Swivel limitation set - 12 820 970 90



Recommended miscellaneous

**Dispenser without rosette -
Brushed Chrome** 82 424 970-93



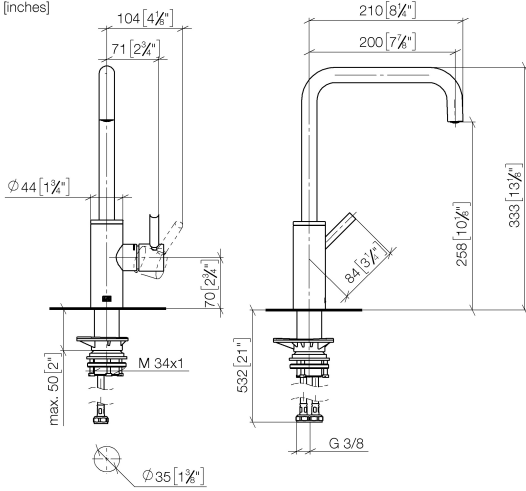
Recommended miscellaneous

**Strainer waste with control handle -
Brushed Chrome** 10 712 970-93



33 800 861

mm [inches]



Flow rate chart



Codes & Standards

DIN 4109

ISO 3822

Scottish Water
Byelaws

UK Water Supply
Regulations

Ü-Zeichen



META SQUARE Single-lever mixer - Brushed Chrome

META SQUARE

33 800 861

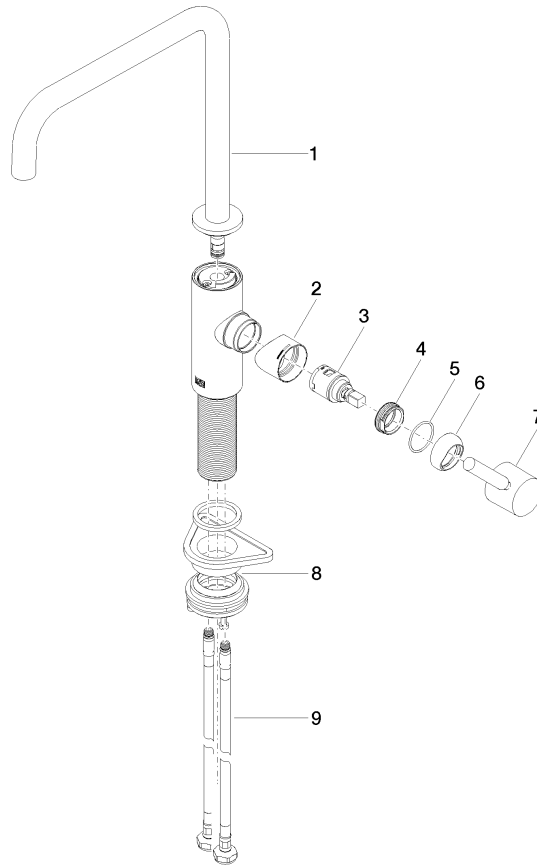
Certificates

LGA_38

WRAS_240102

33 800 861

Product version from 2/1/2023





META SQUARE Single-lever mixer - Brushed Chrome

META SQUARE

33 800 861

Spare parts list

Product version from 2/1/2023

No.	Item Number	Name	Quantity used	Delivery time
	90 28 22 334 00-93	spout	10	20