

33 805 888



- 166mm projection
- pivotable spout 360°
- laminar flow
- height of mixer 302 mm
- height up to laminar flow regulator 185 mm
- hole diameter 35 mm
- max. flow 8.3 l/min at 3 bar flow pressure
- lead-free
- This product can help a building meet the requirements of Green Building Rating Systems, e.g. LEED®, BREEAM®, DGNB
- WRAS 240102012

	Dark Chrome	33 805 888-19
	Chrome	33 805 888-00
	Brushed Platinum	33 805 888-06
	Platinum	33 805 888-08
	Durabrand (23kt Gold)	33 805 888-09
	Brushed Durabrand (23kt Gold)	33 805 888-28
	Matte Black	33 805 888-33
	Brushed Champagne (22kt Gold)	33 805 888-46
	Champagne (22kt Gold)	33 805 888-47
	Brushed Chrome	33 805 888-93
	Brushed Dark Platinum	33 805 888-99

**Recommended miscellaneous**

**Dispenser with rosette - Dark Chrome** 82 444 970-19



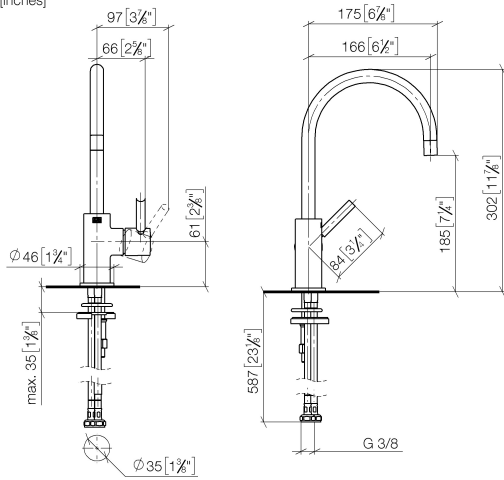
**Recommended miscellaneous**

**Strainer waste with control handle - Dark Chrome** 10 710 970-19

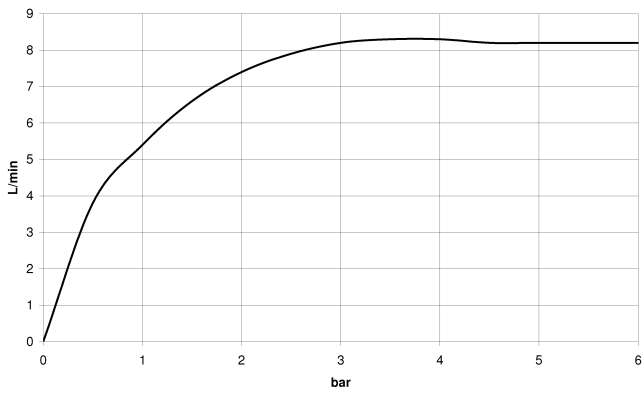


33 805 888

mm [inches]



Flow rate chart



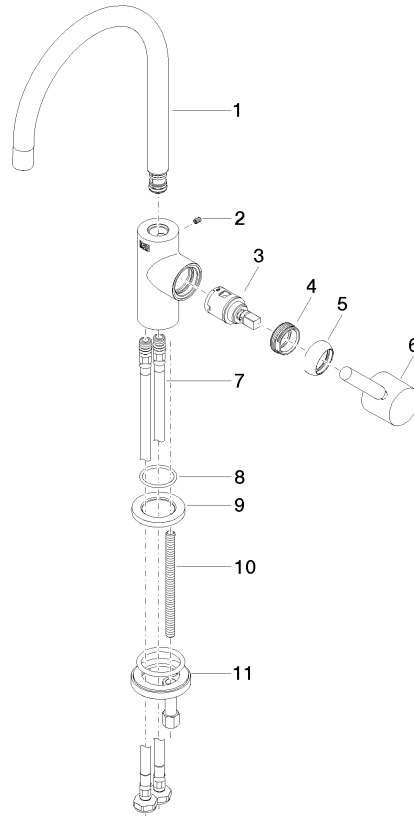
Certificates

LGA\_38637.

WRAS\_240102012.

33 805 888

Parts for other finishes can be found here: [Chrome](#)



### Spare parts list

No.	Item Number	Name	Quantity used	Delivery time
1	90 28 22 393 00-19	spout	1	-
Spare part can no longer be ordered, please order the replacement item				
2	09 31 11 008 90	pin	1	2
3	90 15 05 042 00 90	cartridge	1	2
4	09 24 04 266 90	nut	1	2
5	09 28 30 021-19	cover	1	20
6	90 20 66 003 00-19	handle	1	20
7	04 30 04 105 00 90	hose	2	2
8	09 14 10 118 90	seal	1	2
9	09 27 85 001-19	rosette	1	60
10	09 31 11 012 90	pin	1	2
11	04 30 11 038 64 90	fixing set	1	2