

33 840 760



- 220mm projection
- pivotable spout 130°
- air-enriched flow
- height of mixer 167 mm
- height up to aerator 145 mm
- hole diameter 35 mm
- fabric braided hose 1500 mm
- max. flow 8 l/min at 3 bar flow pressure
- lead-free
- This product can help a building meet the requirements of Green Building Rating Systems, e.g. LEED®, BREEAM®, DGNB

Intrinsic protection against back flow.

	Dark Chrome	33 840 760-19
	Chrome	33 840 760-00
	Brushed Platinum	33 840 760-06
	Platinum	33 840 760-08
	Brushed Durabronze (23kt Gold)	33 840 760-28
	Brushed Champagne (22kt Gold)	33 840 760-46
	Champagne (22kt Gold)	33 840 760-47
	Brushed Chrome	33 840 760-93
	Brushed Dark Platinum	33 840 760-99

Recommended miscellaneous



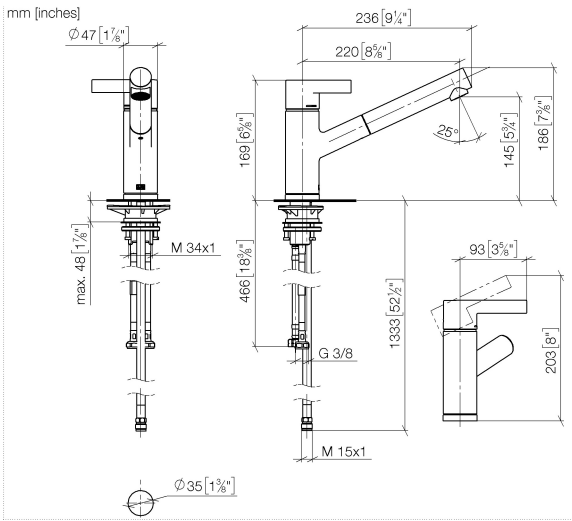
Dispenser without rosette - Dark Chrome 82 424 970-19

Recommended miscellaneous

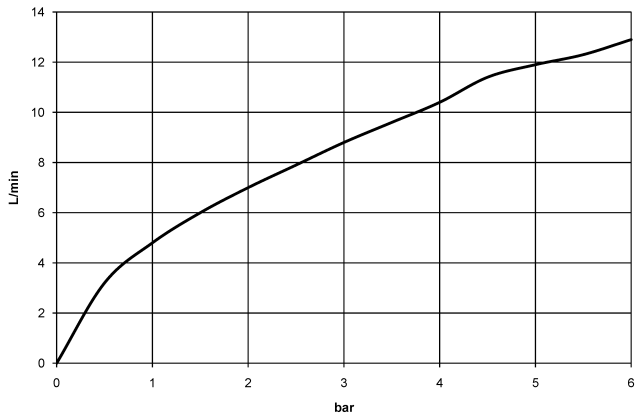


Strainer waste with control handle - Dark Chrome 10 712 970-19

33 840 760



Flow rate chart



Certificates

GDV_0400282.

LGA_19871.

Belgaqua_22_277_2
7_3.

33 840 760

Parts for other finishes can be found here: [Chrome](#)

