

33 845 875



- 552mm projection
- pivotable spout 360°
- air-enriched flow
- height of mixer 372 mm
- height up to aerator 290 mm
- rosette 55 mm
- hole diameter 30 mm
- max. flow 8 l/min at 3 bar flow pressure
- lead-free
- This product can help a building meet the requirements of Green Building Rating Systems, e.g. LEED®, BREEAM®, DGNB

	Dark Chrome	33 845 875-19
	Chrome	33 845 875-00
	Brushed Platinum	33 845 875-06
	Platinum	33 845 875-08
	Durabrass (23kt Gold)	33 845 875-09
	Brushed Durabrass (23kt Gold)	33 845 875-28
	Brushed Champagne (22kt Gold)	33 845 875-46
	Champagne (22kt Gold)	33 845 875-47
	Brushed Chrome	33 845 875-93
	Brushed Dark Platinum	33 845 875-99

Recommended miscellaneous

**Dispenser with rosette - Dark Chrome** 82 444 970-19

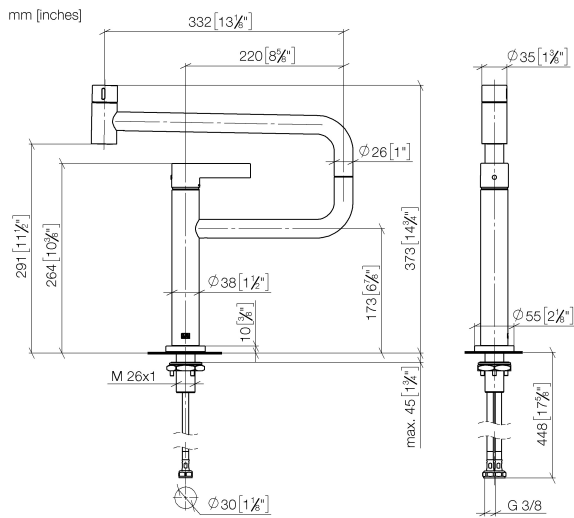


Recommended miscellaneous

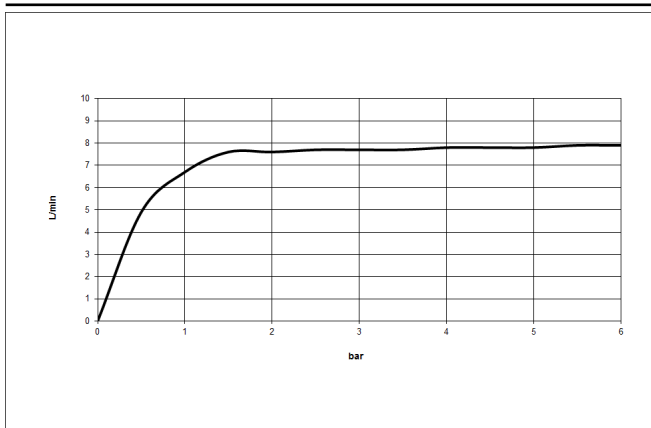
**Strainer waste with control handle - Dark Chrome** 10 710 970-19



33 845 875



Flow rate chart



Certificates

LGA\_28059.

GDV\_0400292.

33 845 875

Parts for other  
finishes can be found  
here: [Chrome](#)

