

33 870 875

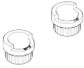


- 240mm projection
- pivotable spout 360°
- Optional swivel limiter available with swivel limiter set 12 823 970 90
- laminar and spray flow
- height of mixer 500 mm
- height up to laminar flow regulator 240 mm
- hole diameter 35 mm
- 1800 mm metal shower hose
- sprayface with anti-scaling system
- max. flow 10.4 l/min at 3 bar flow pressure
- lead-free
- This product can help a building meet the requirements of Green Building Rating Systems, e.g. LEED®, BREEAM®, DGNB


Intrinsic protection against back flow.

	Platinum	33 870 875-08
	Chrome	33 870 875-00
	Brushed Platinum	33 870 875-06
	Durabronze (23kt Gold)	33 870 875-09
	Dark Chrome	33 870 875-19
	Brushed Durabronze (23kt Gold)	33 870 875-28
	Matte Black	33 870 875-33
	Brushed Champagne (22kt Gold)	33 870 875-46
	Champagne (22kt Gold)	33 870 875-47
	Brushed Chrome	33 870 875-93
	Brushed Dark Platinum	33 870 875-99

Recommended miscellaneous

	Swivel limitation set -	12 823 970 90
---	--------------------------------	---------------

Recommended miscellaneous

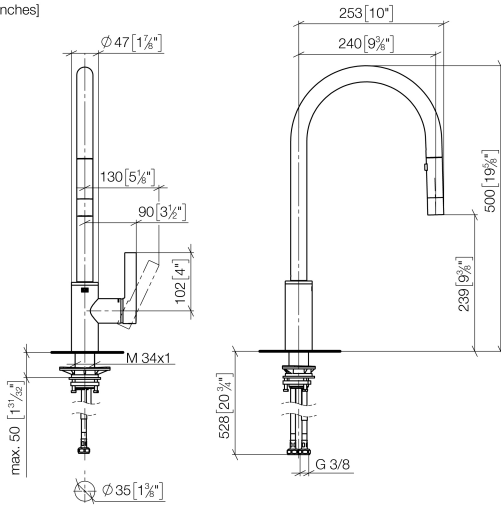
	Strainer waste with control handle - Platinum	10 712 970-08
---	--	---------------

Recommended miscellaneous

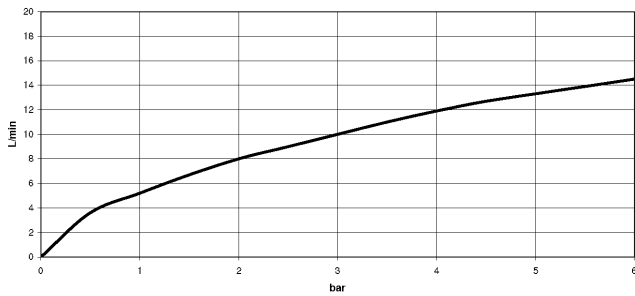
	Dispenser without rosette - Platinum	82 424 970-08
---	---	---------------

33 870 875

mm [inches]



Flow rate chart



Codes & Standards

DIN 4109

EN 1717

Executive Order
no. 1007

ISO 3822

Ü-Zeichen



TARA ULTRA Single-lever mixer Pull-down with spray function - Platinum

TARA ULTRA

33 870 875

Certificates

LGA_28

GDV_0400

Belgaqua_21-027-2

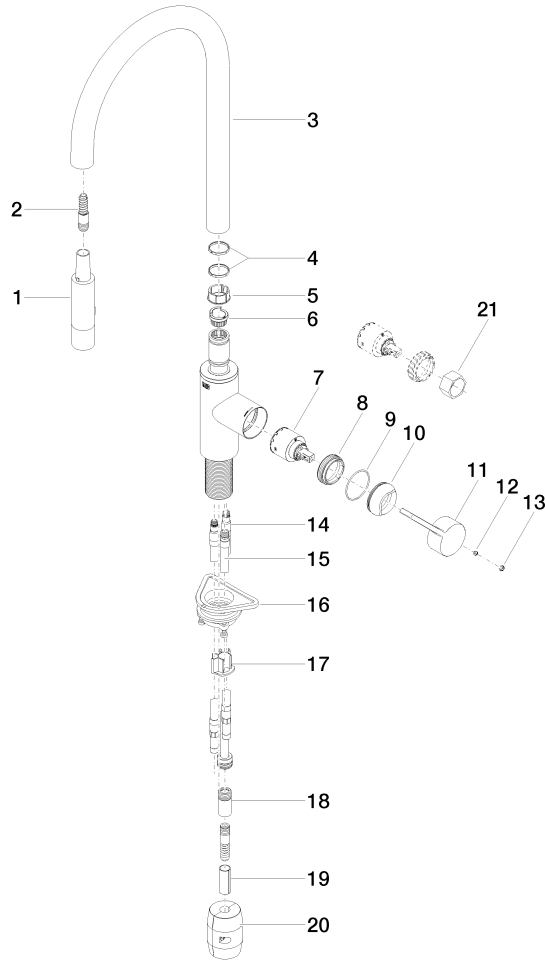
33 870 875

Product version from 2/26/2015 to 1/7/2021

Product version from 1/7/2021 to 5/3/2021

Product version from 5/3/2021 to 6/1/2021

Product version from 6/1/2021





TARA ULTRA Single-lever mixer Pull-down with spray function - Platinum

TARA ULTRA

33 870 875

Spare parts list

Product version from 2/26/2015 to 1/7/2021

Product version from 1/7/2021 to 5/3/2021

Product version from 5/3/2021 to 6/1/2021

Product version from 6/1/2021

No.	Item Number	Name	Quantity used	Delivery time
	90 12 11 148 00-08	shower	23	40