

TARA Single-lever mixer Pull-down with spray function - Brushed Champagne (22kt Gold)

TARA

33 870 888



- 240mm projection
- pivotable spout 360°
- Optional swivel limiter available with swivel limiter set 12 823 970 90
- laminar and spray flow
- 1800 mm metal shower hose
- sprayface with anti-scaling system
- max. flow 10.4 l/min at 3 bar flow pressure
- lead-free
- This product can help a building meet the requirements of Green Building Rating Systems, e.g. LEED®, BREEAM®, DGNB

Intrinsic protection against back flow.

	Brushed Champagne (22kt Gold)	33 870 888-46
	Chrome	33 870 888-00
	Brushed Platinum	33 870 888-06
	Platinum	33 870 888-08
	Durabrand (23kt Gold)	33 870 888-09
	Dark Chrome	33 870 888-19
	Brushed Durabrand (23kt Gold)	33 870 888-28
	Matte Black	33 870 888-33
	Champagne (22kt Gold)	33 870 888-47
	Brushed Chrome	33 870 888-93
	Brushed Dark Platinum	33 870 888-99

Recommended miscellaneous



Swivel limitation set - 12 823 970 90

Recommended miscellaneous



Dispenser with rosette - Brushed Champagne (22kt Gold) 82 444 970-46

Recommended miscellaneous

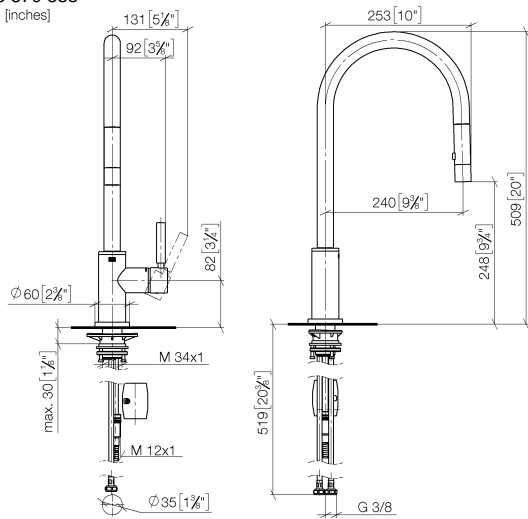


Strainer waste with control handle - Brushed Champagne (22kt Gold) 10 710 970-46

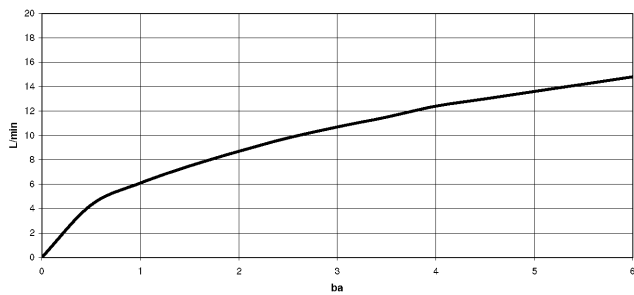
33 870 888

mm [inches]

1:5



Flow rate chart

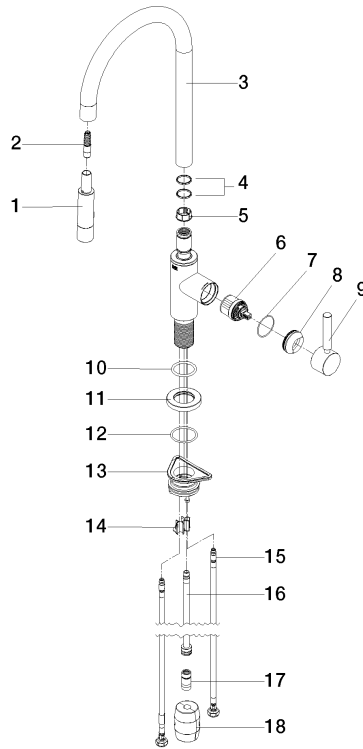


Certificates

LGA_38636.

Belgaqua_24-005-27_3.

33 870 888





TARA Single-lever mixer Pull-down with spray function - Brushed Champagne (22kt Gold)

TARA

33 870 888

Spare parts list

No.	Item Number	Name	Quantity used	Delivery time
1	90 12 11 148 00-46	shower	1	-
Spare part can no longer be ordered, please order the replacement item				
2	04 30 02 120 00-85	hose	1	30
3	90 28 22 304 00-46	spout	1	30
4	09 28 10 160 90	ring	2	2
5	09 18 40 186 90	sleeve	1	2
6	90 15 05 064 05 90	cartridge	1	2
7	09 14 10 190 90	seal	1	2
8	09 28 30 030-46	cover	1	60
9	90 20 66 027 00-46	handle	1	30
10	09 14 10 036 90	seal	1	2
11	90 27 22 047 00-46	rosette	1	-
Spare part can no longer be ordered, please order the replacement item				
12	09 14 10 050 90	seal	1	2
13	04 30 11 040 00 90	fixing set	1	2
14	09 20 93 056 90	insert	1	2
15	04 30 04 101 00 90	hose	2	2
16	04 28 20 067 00 90	pipe	1	2
17	90 24 03 253 00 90	adaptor	1	2
18	04 21 50 010 00 90	accessories	1	2