

**VAIA Shower pipe with shower thermostat without hand shower FlowReduce -  
Brushed Bronze**

34 459 809



- shower with fixed riser projection 452mm
- overhead shower: rain flow
- rain shower Ø 220 mm
- rain shower with anti-scale system
- max. rainshower flow 7 l/min
- Function from: 6 l/min
- rotary diverter with volume control and shut-off function
- slide-on rosettes Ø 70 mm
- height of fittings up to rain shower (bottom edge) 964mm
- height of fittings up to top edge of elbow 1267mm
- gauge 150 mm - 13 mm
- metal shower hose 1750mm with integrated anti-twist protection
- 1/2" connection
- slide bar
- Pipe diameter 23.5 mm
- This product can help a building meet the requirements of Green Building Rating Systems, e.g. LEED®, BREEAM®, DGNB
- WRAS

This article does not include a hand shower!

Intrinsic protection against back flow.

	Brushed Bronze	34 459 809-42
	Chrome	34 459 809-00
	Brushed Platinum	34 459 809-06
	Platinum	34 459 809-08
	Dark Chrome	34 459 809-19
	Brushed Durabronze (23kt Gold)	34 459 809-28
	Brushed Champagne (22kt Gold)	34 459 809-46
	Champagne (22kt Gold)	34 459 809-47
	Brushed Dark Platinum	34 459 809-99

**Required miscellaneous**

**Hand shower - Brushed Bronze** 28 016 979-42







## VAIA Shower pipe with shower thermostat without hand shower FlowReduce - Brushed Bronze

---

34 459 809

Certificates

---

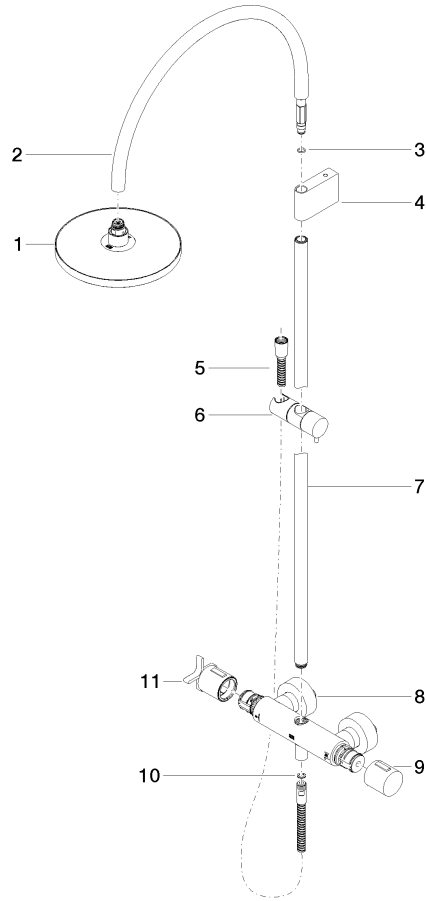
WRAS\_2204

Belgaqua\_24-006-2 LGA\_38

**VAIA Shower pipe with shower thermostat without hand shower FlowReduce -  
Brushed Bronze**

34 459 809

Parts for other  
finishes can be found  
here: [Chrome](#)



**Spare parts list**

No.	Item Number	Name	Quantity used	Delivery time
1	90 12 05 092 20-42	shower	1	30
2	04 28 22 346 00-42	pipe	1	60
3	09 14 10 008 90	seal	1	2
4	90 17 11 150 00-42	holder	1	30
5	28 322 970-42	Metal shower hose 1/2" x 3/8" x 1750 mm - Brushed Bronze	1	30
6	12 570 970-42	Slide unit - Brushed Bronze	1	30
7	90 28 22 349 00-42	pipe	1	30
8	04 17 01 250 00-42	connection	1	60
9	90 17 33 015 00-42	handle	1	30
10	90 14 20 026 00 90	seal	1	2
11	90 17 33 030 00-42	handle	1	30