

## Concealed ceiling installation box for recessed ceiling installation with light -

---

35 044 970 90



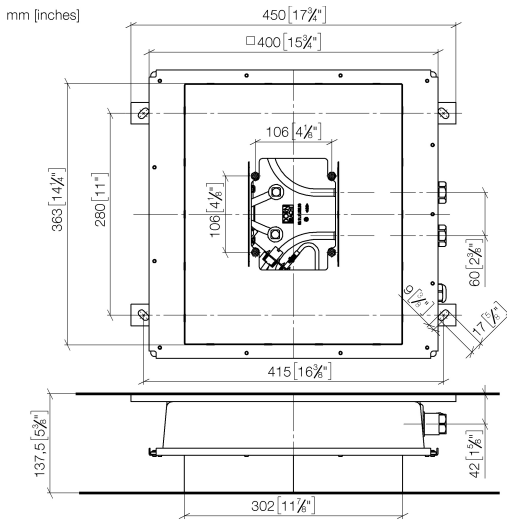
- concealed rough parts
- 2x female thread 1/2" connections
- flush-mounted installation box 360x 300 mm RAL 9003 signal white
- Supply pipe 7 m
- Input 100-240V AC 50-60Hz
- Output 12V DC SELV / Class II
- ZigBee Light Link RGBW controller
- Provided by customer: Zigbee gateway
- For simultaneous control of the jet types, we recommend the xTool thermostat module
- Not suitable for use in a steam room.
- WRAS 240502006

To be provided by the customer. Zigbee Gateway!

**Concealed ceiling installation box for recessed ceiling installation with light -**

---

35 044 970 90



**Codes & Standards**

---

Scottish Water  
Byelaws

UK Water Supply  
Regulations

**Certificates**

---

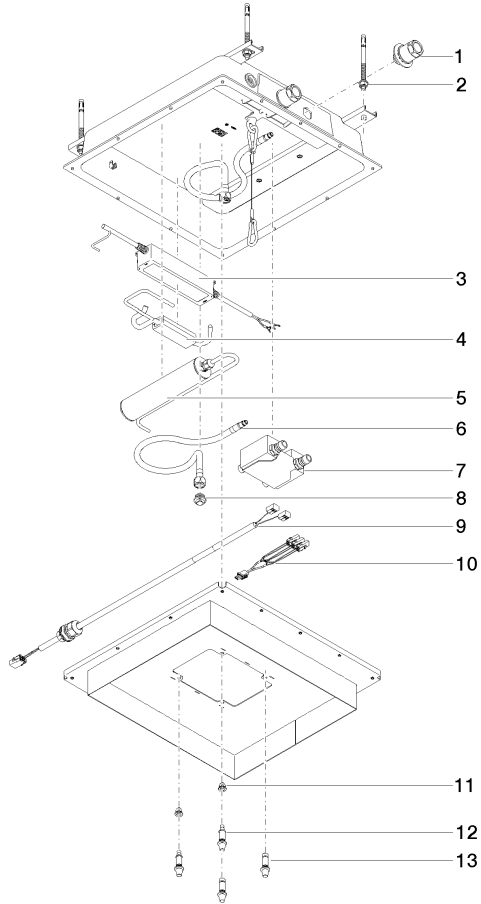
WRAS\_240502

Concealed ceiling installation box for recessed ceiling installation with light -

---

35 044 970 90

Product version from 4/1/2022





## Concealed ceiling installation box for recessed ceiling installation with light -

---

35 044 970 90

### Spare parts list

#### Product version from 4/1/2022

No.	Item Number	Name	Quantity used	Delivery time
	90 24 03 305 00 90	connection	19	2