

**Concealed single-lever mixer with integrated shower connection with shower set without hand shower - Platinum**

IMO

36 111 970



- metal shower hose 1750mm with integrated anti-twist protection
- slide bar
- Pipe diameter 18 mm
- WRAS 2011027

**This article does not include a hand shower!**  
**Intrinsic protection against back flow.**

This article does not include a hand shower!

Intrinsic protection against back flow.

Fits: IMO, LULU, MADISON, MEM, TARA, CL.1, LISSÉ, VAIA, META, CYO

	Platinum	36 111 970-08
	Chrome	36 111 970-00
	Brushed Platinum	36 111 970-06
	Dark Chrome	36 111 970-19
	Brushed Light Gold	36 111 970-27
	Brushed Durabronze (23kt Gold)	36 111 970-28
	Matte Black	36 111 970-33
	Brushed Bronze	36 111 970-42
	Brushed Champagne (22kt Gold)	36 111 970-46
	Champagne (22kt Gold)	36 111 970-47
	Brushed Chrome	36 111 970-93
	Brushed Dark Platinum	36 111 970-99

**Required miscellaneous**

	<b>Concealed wall mounting -</b> •max. recess depth 105 mm •min. recess depth 80 mm	35 050 970 90
--	---	---------------

**Required miscellaneous**

	<b>Hand shower - Platinum</b>	28 012 979-08
--	-------------------------------	---------------

**Required miscellaneous**

	<b>Hand shower FlowReduce - Platinum</b>	28 012 979-08 0010
--	--	--------------------

**Required miscellaneous**

	<b>Hand shower - Platinum</b>	28 018 979-08
--	-------------------------------	---------------

**Required miscellaneous**

	<b>Hand shower - Platinum</b>	28 016 979-08
--	-------------------------------	---------------

**Required miscellaneous**

	<b>Hand shower FlowReduce - Platinum</b>	28 016 979-08 0010
--	--	--------------------

**Required miscellaneous**

	<b>Hand shower - Platinum</b>	28 017 979-08
--	-------------------------------	---------------

**Required miscellaneous**

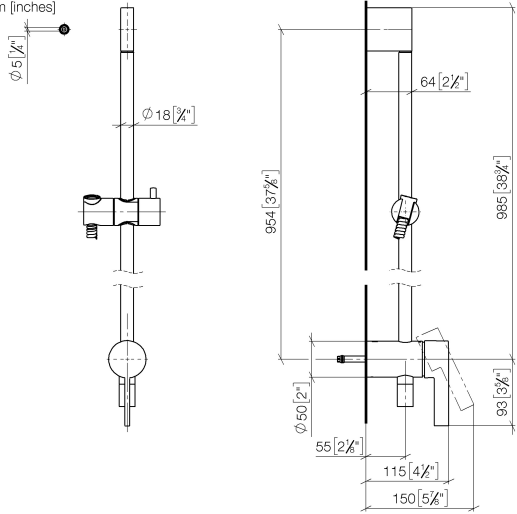
	<b>Hand shower FlowReduce - Platinum</b>	28 018 979-08 0010
--	--	--------------------

Concealed single-lever mixer with integrated shower connection with shower set without hand shower - Platinum

IMO

36 111 970

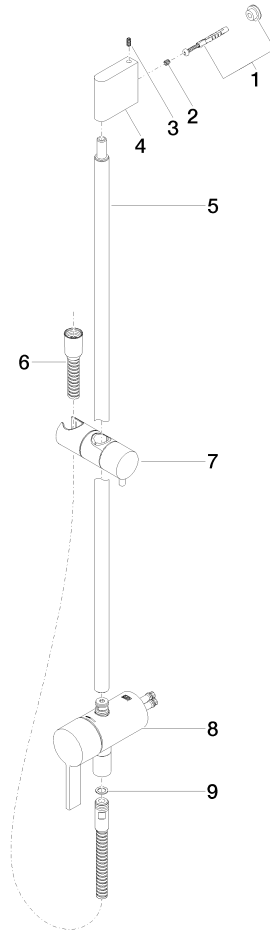
mm [inches]



Certificates

Belgaqua\_21-025- WRAS\_2011027. LGA\_29928.  
27\_1.

36 111 970



### Spare parts list

No.	Item Number	Name	Quantity used	Delivery time
1	05 17 20 726 02 90	fixing set	1	2
2	09 31 11 049 90	pin	2	2
3	04 31 11 113 00 90	pin	2	2
4	08 17 97 054-08	holder	1	40
5	90 28 22 782 00-08	pipe	1	40
6	28 322 970-08	Metal shower hose 1/2" x 3/8" x 1750 mm - Platinum	1	40
7	12 580 970-08	Slide unit - Platinum	1	40
8	90 19 97 002 00-08	connection	1	40
9	90 14 20 026 00 90	seal	1	2