

Concealed single-lever mixer with diverter - Platinum

IMO

36 120 670



- automatic diverter
- cover plate 150 x 90 mm
- WRAS 2207012

Fits: IMO, MEM, CL.1, CYO

| | | |
|---|-------------------------------------|---------------|
|  | Platinum | 36 120 670-08 |
|  | Chrome | 36 120 670-00 |
|  | Brushed Platinum | 36 120 670-06 |
|  | Dark Chrome | 36 120 670-19 |
|  | Brushed Light Gold | 36 120 670-27 |
|  | Brushed Durabross (23kt Gold) | 36 120 670-28 |
|  | Matte Black | 36 120 670-33 |
|  | Brushed Champagne (22kt Gold) | 36 120 670-46 |
|  | Champagne (22kt Gold) | 36 120 670-47 |
|  | Brushed Chrome | 36 120 670-93 |
|  | Brushed Dark Platinum | 36 120 670-99 |

Required miscellaneous



Concealed single-lever mixer - 35 020 970 90
 •max. recess depth 105 mm
 •min. recess depth 80 mm

Recommended miscellaneous



**xGRID Attachment set for
integrating in the dry wall
construction -** 12 340 970 90

Required miscellaneous



**Concealed single-lever mixer with
backflow preventor -** 35 021 970 90
 •max. recess depth 105 mm
 •min. recess depth 80 mm

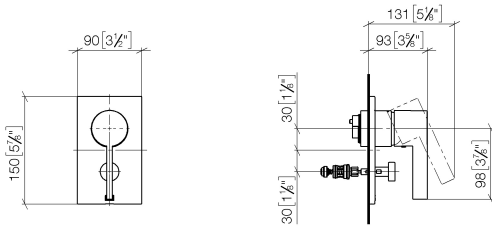
Required miscellaneous



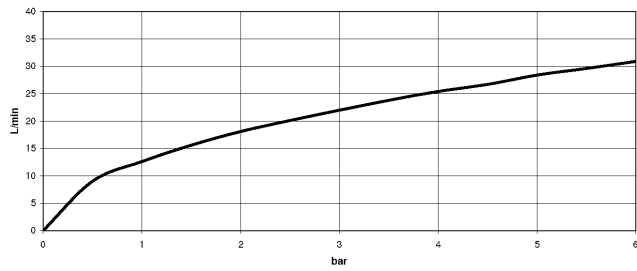
xGRID Installation track 555 mm - 12 360 970 90

36 120 670

mm [inches]



Flow rate chart

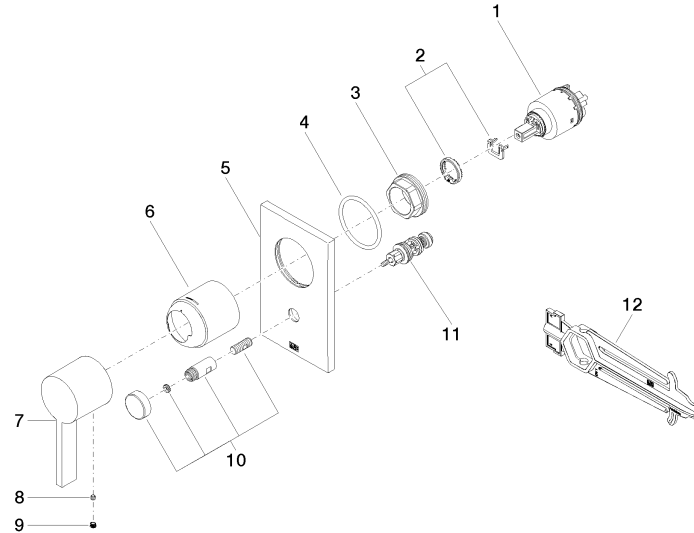


Certificates

LGA_19863.

WRAS_2207012.

36 120 670



Spare parts list

| No. | Item Number | Name | Quantity used | Delivery time |
|-----|--------------------|-------------|---------------|---------------|
| 1 | 90 15 05 038 00 90 | cartridge | 1 | 60 |
| 2 | 04 28 10 149 00 90 | accessories | 1 | 2 |
| 3 | 09 24 04 448 90 | nut | 1 | 2 |
| 4 | 09 14 10 084 90 | seal | 1 | 2 |
| 5 | 09 11 02 258-08 | plate | 1 | 40 |
| 6 | 09 11 02 260-08 | sleeve | 1 | 40 |
| 7 | 09 20 67 007-08 | handle | 1 | 40 |
| 8 | 09 31 11 099 90 | pin | 1 | 2 |
| 9 | 90 31 20 109 00 90 | plug | 1 | 2 |
| 10 | 90 31 09 139 00-08 | pull-rod | 1 | 40 |
| 11 | 90 21 34 081 00 90 | diverter | 1 | 2 |
| 12 | 90 30 09 064 00 90 | key | 1 | 2 |