




36 200 710 Product version from 4/1/2022



- rotary diverter
- rosette 60 x 78 mm
- WRAS

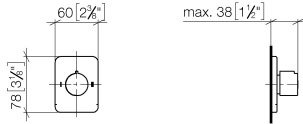
	Brushed Platinum	36 200 710-06
	Chrome	36 200 710-00

Required miscellaneous

	Concealed two-way diverter -	35 202 970 90
	•max. recess depth mm	
	•min. recess depth mm	

36 200 710 Product version from 4/1/2022

mm [inches]



Flow rate chart



Codes & Standards

DIN 4109

ISO 3822

Scottish Water
Byelaws

UK Water Supply
Regulations

Ü-Zeichen



LULU Concealed two-way diverter - Brushed Platinum

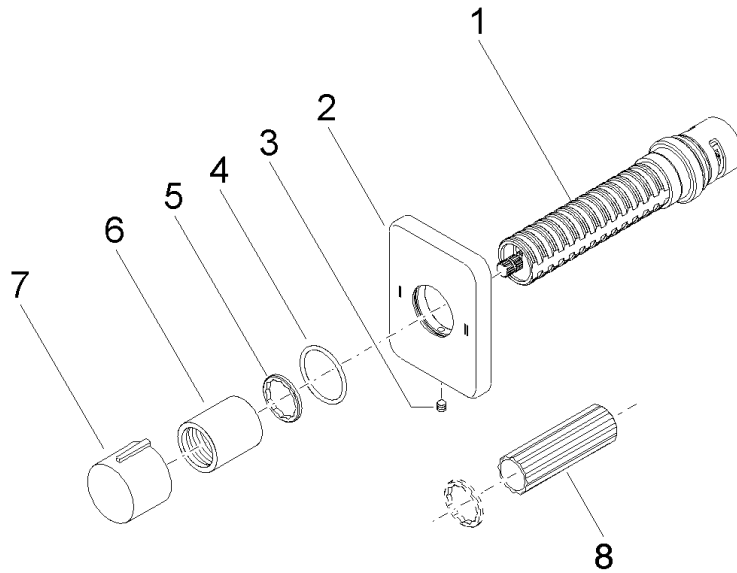
LULU

36 200 710 Product version from 4/1/2022

Certificates

LGA_38

WRAS_2307



Spare parts list

No.	Item Number	Name	Quantity used	Delivery time
1	90 90 03 304 10 90	diverter	1	2
2	09 27 71 114-06	rosette	1	60
3	90 31 11 007 00 90	pin	1	2
4	90 14 10 063 00 90	seal	1	2
5	09 16 01 025 90	ring	1	2
6	09 21 02 070-06	cover	1	10
7	09 20 97 030-06	handle	1	10
8	90 30 09 010 00 90	key	1	2