

WATER FAN vertical Concealed body spray - Brushed Durabross (23kt Gold)

36 513 979 Product version from 4/1/2024



- AQUAPRESSURE FLOW, max. flow rate 10 l/min (at 3 bar)
- water jet adjustable
- cover plate 240 x 60 mm
- 1/2" connection
- WRAS

	Brushed Durabross (23kt Gold)	36 513 979-28
	Chrome	36 513 979-00
	Brushed Platinum	36 513 979-06
	Platinum	36 513 979-08
	Dark Chrome	36 513 979-19
	Light Gold	36 513 979-26
	Brushed Light Gold	36 513 979-27
	Matte Black	36 513 979-33
	Brushed Bronze	36 513 979-42
	Brushed Champagne (22kt Gold)	36 513 979-46
	Champagne (22kt Gold)	36 513 979-47
	Brushed Chrome	36 513 979-93
	Brushed Dark Platinum	36 513 979-99

Required miscellaneous

	Concealed wall installation box - 35 206 970 90
	<ul style="list-style-type: none"> • max. recess depth mm • min. recess depth mm

Recommended miscellaneous

	xGRID Attachment set for integrating in the dry wall construction - 12 340 970 90
--	--

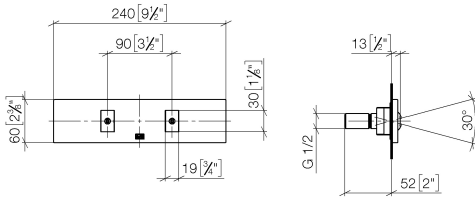
Required miscellaneous

	xGRID Installation track 555 mm - 12 360 970 90
--	--

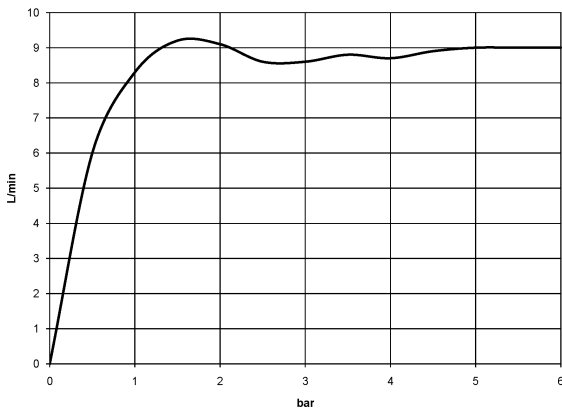
WATER FAN vertical Concealed body spray - Brushed Durabronz (23kt Gold)

36 513 979 Product version from 4/1/2024

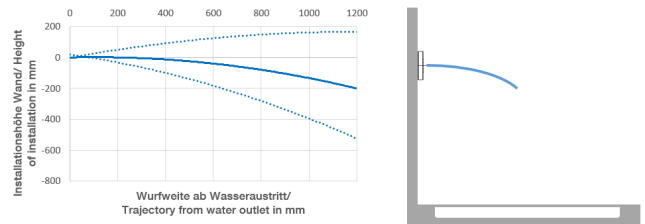
mm [inches]



Flow rate chart



Trajectory diagram



Codes & Standards

DIN 4109

ISO 3822

Scottish Water
Byelaws

UK Water Supply
Regulations

Ü-Zeichen



WATER FAN vertical Concealed body spray - Brushed Durabronz (23kt Gold)

36 513 979 Product version from 4/1/2024

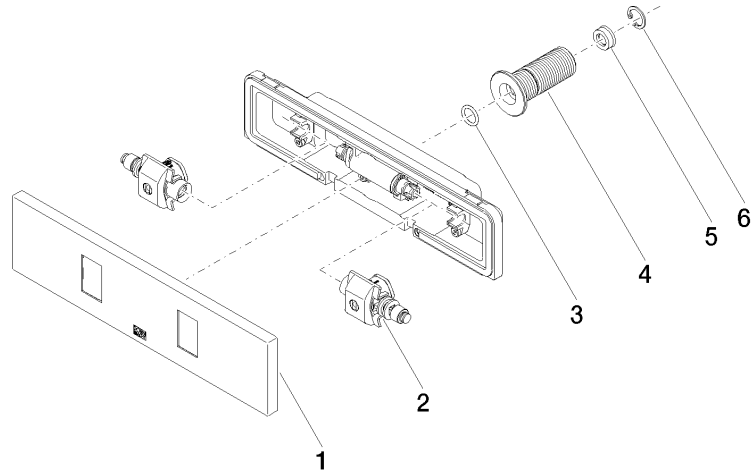
Certificates

LGA_29

WRAS_2005

WATER FAN vertical Concealed body spray - Brushed Durabross (23kt Gold)

36 513 979 Product version from 4/1/2024



Spare parts list

No.	Item Number	Name	Quantity used	Delivery time
1	90 27 99 002 00-28	insert	1	20
2	90 31 10 013 00 90	insert	1	2
3	09 14 10 003 90	seal	1	2
4	09 24 05 015 90	nipple	1	2
5	09 23 01 134 90	flow reducer	1	2
6	09 16 01 014 90	ring	1	2