

36 514 979



- AQUAPRESSURE FLOW, max. flow rate 10 l/min (at 3 bar)
- water jet adjustable
- cover plate 120 x 60 mm
- 1/2" connection
- WRAS 2005004

Fits: IMO, LULU, MADISON, MEM, TARA, CL.1, LISSÉ, VAIA, META, CYO

| | | |
|--|--------------------------------|---------------|
|  | Light Gold | 36 514 979-26 |
|  | Chrome | 36 514 979-00 |
|  | Brushed Platinum | 36 514 979-06 |
|  | Platinum | 36 514 979-08 |
|  | Dark Chrome | 36 514 979-19 |
|  | Brushed Light Gold | 36 514 979-27 |
|  | Brushed Durabronze (23kt Gold) | 36 514 979-28 |
|  | Matte Black | 36 514 979-33 |
|  | Brushed Bronze | 36 514 979-42 |
|  | Brushed Champagne (22kt Gold) | 36 514 979-46 |
|  | Champagne (22kt Gold) | 36 514 979-47 |
|  | Brushed Chrome | 36 514 979-93 |
|  | Brushed Dark Platinum | 36 514 979-99 |

Recommended miscellaneous



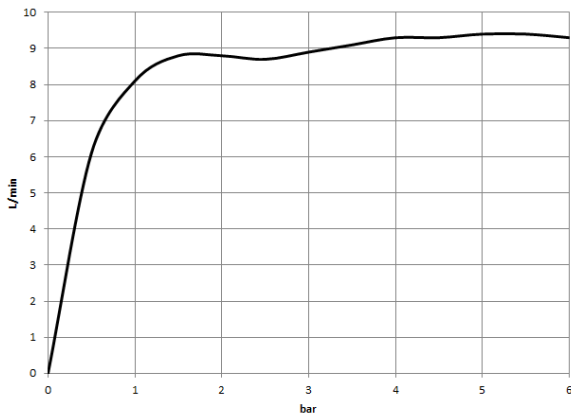
- Concealed wall elbow -** 35 085 970 90
- min. recess depth 90 mm
 - max. recess depth 163 mm

36 514 979

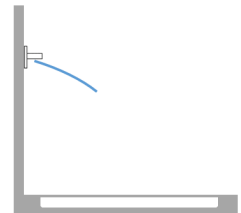
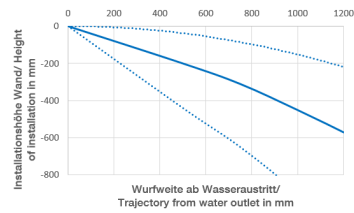
mm [inches]



Flow rate chart



Trajectory diagram



Codes & Standards

DIN 4109

ISO 3822

Ü-Zeichen



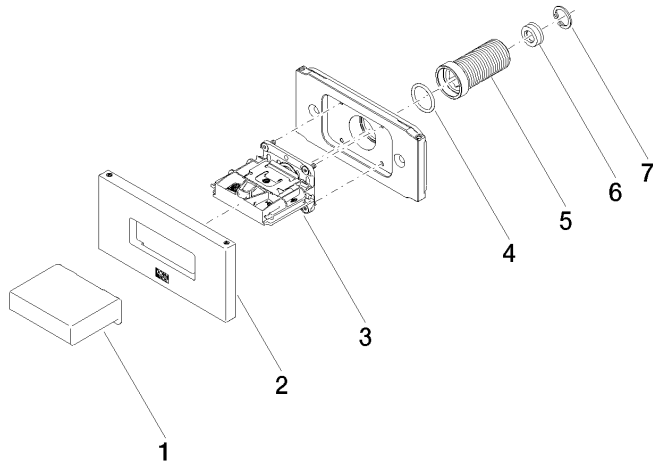
WATER CURVE Concealed body spray - Light Gold

IMO

36 514 979

Certificates

LGA_29





WATER CURVE Concealed body spray - Light Gold

IMO

36 514 979

Spare parts list