

36 527 979



- HORIZONTAL RAIN, max. flow rate 9 l/min (at 3 bar)
- with anti-scale system
- cover plate 240 x 60 mm
- 1/2" connection

Fits: IMO, LULU, MADISON, MEM, TARA, CL.1, LISSÉ, VAIA, META, CYO

| | | |
|--|-------------------------------|---------------|
|  | Matte Black | 36 527 979-33 |
|  | Chrome | 36 527 979-00 |
|  | Brushed Platinum | 36 527 979-06 |
|  | Platinum | 36 527 979-08 |
|  | Dark Chrome | 36 527 979-19 |
|  | Light Gold | 36 527 979-26 |
|  | Brushed Light Gold | 36 527 979-27 |
|  | Brushed Durabross (23kt Gold) | 36 527 979-28 |
|  | Brushed Bronze | 36 527 979-42 |
|  | Brushed Champagne (22kt Gold) | 36 527 979-46 |
|  | Champagne (22kt Gold) | 36 527 979-47 |
|  | Brushed Chrome | 36 527 979-93 |
|  | Brushed Dark Platinum | 36 527 979-99 |

Required miscellaneous



- Concealed wall installation box - 35 206 970 90**
- max. recess depth 173 mm
 - min. recess depth 100 mm

Recommended miscellaneous



- xGRID Attachment set for integrating in the dry wall construction - 12 340 970 90**

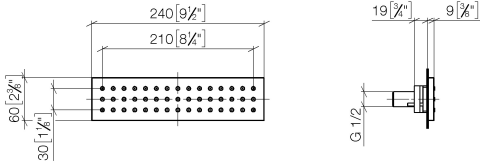
Required miscellaneous



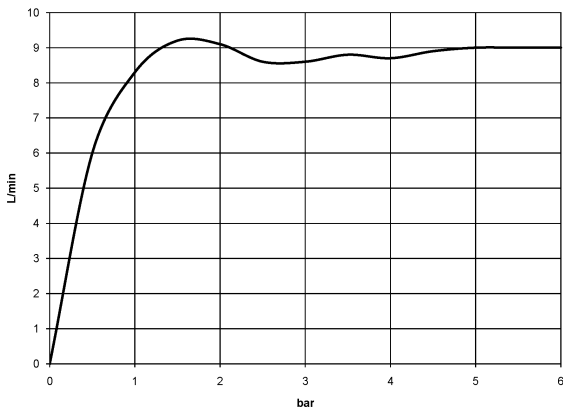
- xGRID Installation track 555 mm - 12 360 970 90**

36 527 979

mm [inches]



Flow rate chart



Codes & Standards

DIN 4109

ISO 3822

Ü-Zeichen



WATER BAR Concealed body spray - Matte Black

IMO

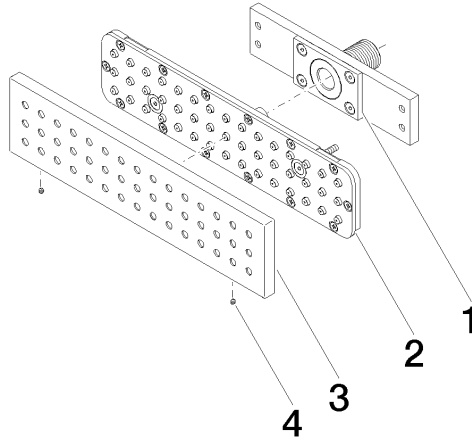
36 527 979

Certificates

LGA_38

36 527 979

Product version from 10/1/2023





WATER BAR Concealed body spray - Matte Black

IMO

36 527 979

Spare parts list

Product version from 10/1/2023

| No. | Item Number | Name | Quantity used | Delivery time |
|-----|--------------------|------------|---------------|---------------|
| | 90 11 02 137 00 90 | connection | 5 | 2 |