

Wall valve clockwise closing cold 1/2" - Brushed Platinum

CL.1

36 607 741



- without rosette
- handle Ø 60mm
- with cold marking
- head part with cut-to-length spindle and sleeve

Fits: CL.1, CYO

| | | |
|---|-------------------------------------|---------------|
|  | Brushed Platinum | 36 607 741-06 |
|  | Chrome | 36 607 741-00 |
|  | Dark Chrome | 36 607 741-19 |
|  | Brushed Durabronze (23kt Gold) | 36 607 741-28 |
|  | Matte Black | 36 607 741-33 |
|  | Brushed Champagne (22kt Gold) | 36 607 741-46 |
|  | Champagne (22kt Gold) | 36 607 741-47 |
|  | Brushed Dark Platinum | 36 607 741-99 |

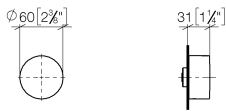
Required miscellaneous



- Wall valve 1/2" -** 35 607 970 90
- min. recess depth 85 mm
 - max. recess depth 145 mm

36 607 741

mm [inches]



Certificates

DVGW_DW-
6501DN0116.

LGA_38107.

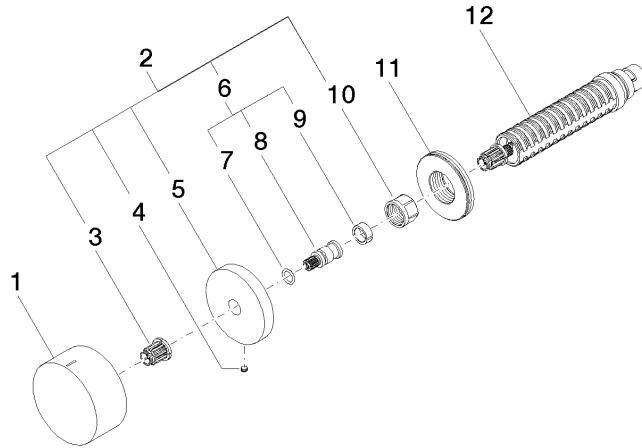
IAPMO_4976 (1).

LGA_29931.

WRAS_2010066.

LGA_29932.

36 607 741



Spare parts list

| No. | Item Number | Name | Quantity used | Delivery time |
|--|--------------------|-----------------|---------------|---------------|
| 1 | 09 20 74 020-06 | handle (cold) | 1 | 10 |
| 2 | 04 27 74 004 00-06 | rosette | 1 | 10 |
| 3 | 90 12 12 002 00 90 | fixing cap | 1 | 2 |
| 4 | 09 31 11 055 90 | pin | 1 | 2 |
| 5 | 09 27 74 004-06 | rosette | 1 | 10 |
| 6 | 04 29 06 020 00-00 | spindle | 1 | 10 |
| 7 | 90 14 10 060 00 90 | seal | 1 | 2 |
| 8 | 09 29 06 020-06 | spindle | 1 | - |
| Spare part can no longer be ordered, please order the replacement item | | | | |
| 9 | 90 14 15 020 03 90 | ring | 1 | 2 |
| 10 | 90 23 30 023 00 90 | nut | 1 | 2 |
| 11 | 09 30 01 107 90 | sleeve | 1 | 2 |
| 12 | 90 90 03 143 00 90 | top | 1 | 2 |