

MEM Wall valve clockwise closing 1/2" - Chrome

MEM


36 607 782 Product version from 10/14/2020



- rosette 60 x 60 mm
- head part with cut-to-length spindle and sleeve
- WRAS

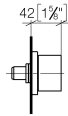
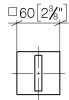
	Chrome	36 607 782-00
	Brushed Platinum	36 607 782-06
	Platinum	36 607 782-08
	Dark Chrome	36 607 782-19
	Brushed Durabronze (23kt Gold)	36 607 782-28
	Brushed Champagne (22kt Gold)	36 607 782-46
	Champagne (22kt Gold)	36 607 782-47
	Brushed Chrome	36 607 782-93
	Brushed Dark Platinum	36 607 782-99

Required miscellaneous

	Wall valve 1/2" - •max. recess depth mm •min. recess depth mm	35 607 970 90
---	--	---------------

36 607 782 Product version from 10/14/2020

mm [inches]



Codes & Standards

DIN 4109

EN 1111

EN 200

ISO 3822

Scottish Water
Byelaws

UK Water Supply
Regulations

Ü-Zeichen

Certificates

DVGW_DW-
6501DN0

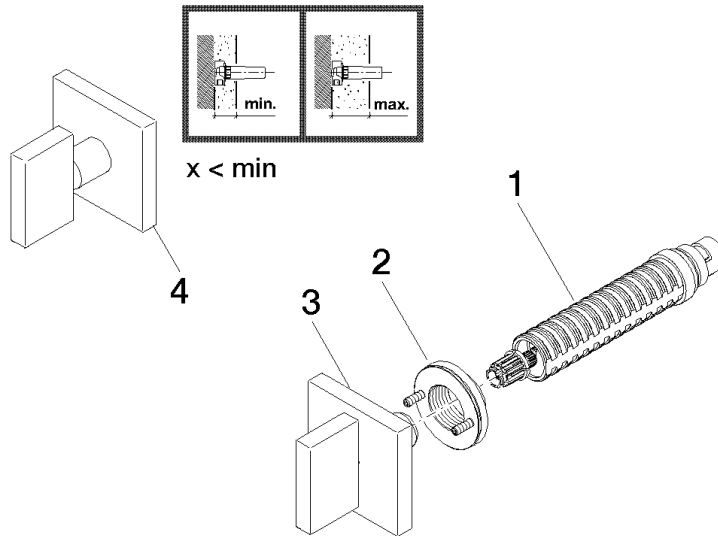
WRAS_2011

LGA_29

WRAS_2010

DVGW_DW-
6512DN0

LGA_29



Spare parts list

No.	Item Number	Name	Quantity used	Delivery time
1	90 90 03 143 00 90	top	1	2
2	90 21 02 108 00 90	disc	1	2
3	90 20 78 002 02-00	handle	1	2
4	90 20 78 002 01-00	handle	1	10