


36 608 985



- rosette 60 x 60 mm
- head part with cut-to-length spindle and sleeve

	Matte Black	36 608 985-33
	Chrome	36 608 985-00
	Brushed Platinum	36 608 985-06
	Platinum	36 608 985-08
	Dark Chrome	36 608 985-19
	Brushed Light Gold	36 608 985-27
	Brushed Durabronze (23kt Gold)	36 608 985-28
	Brushed Chrome	36 608 985-93
	Brushed Dark Platinum	36 608 985-99

Required miscellaneous

- | | | |
|--|---------------------------|---------------|
|  | Wall valve 3/4" - | 35 608 970 90 |
| | •min. recess depth 75 mm | |
| | •max. recess depth 145 mm | |

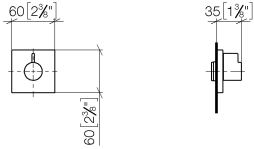


SYMETRICS Wall valve anti-clockwise closing 3/4" - Matte Black

IMO

36 608 985

mm [inches]



Codes & Standards

ASME A112.18.1

cUPC

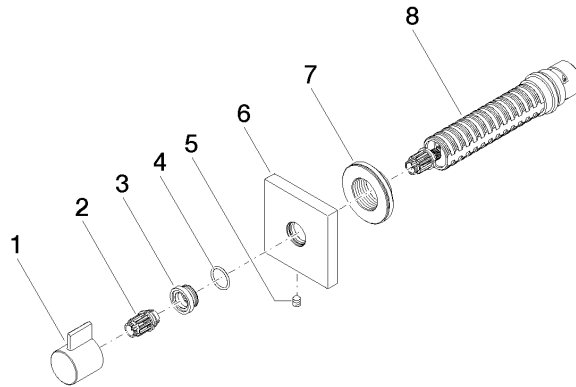
Scottish Water
Byelaws

UK Water Supply
Regulations

Certificates

WRAS_2010

IAPMO_4976





SYMETRICS Wall valve anti-clockwise closing 3/4" - Matte Black

IMO

36 608 985

Spare parts list