

**CYO Wall-mounted basin mixer without pop-up waste - Platinum / Brushed Platinum**

CYO

36 707 811



- 160mm projection
- fixed spout
- rectangular, air-enriched flow
- hole diameter valve 37 mm
- hole diameter spout 37 mm
- handle Ø 60mm
- max. flow 4.5 l/min
- lead-free
- This product can help a building meet the requirements of Green Building Rating Systems, e.g. LEED®, BREEAM®, DGNB
- WRAS 2111006

**NOTE: The handle inserts must be ordered separately from the fittings!**

NOTE: The handle inserts must be ordered separately from the fittings!

	Platinum / Brushed Platinum	36 707 811-36
	Chrome	36 707 811-00
	Brushed Platinum	36 707 811-06
	Dark Chrome	36 707 811-19
	Brushed Durabronze (23kt Gold)	36 707 811-28
	Durabronze / Brushed Durabronze (23kt Gold)	36 707 811-38
	Brushed Bronze	36 707 811-42
	Brushed Dark Platinum	36 707 811-99

**Required miscellaneous**



**Concealed wall-mounted mixer centred spout -** 35 700 970 90

- max. recess depth 145 mm
- min. recess depth 85 mm

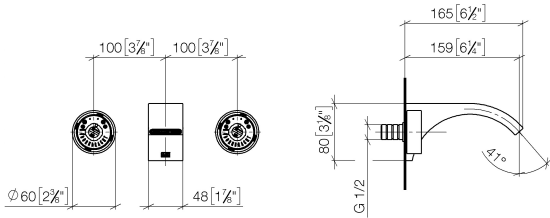
**Required miscellaneous**



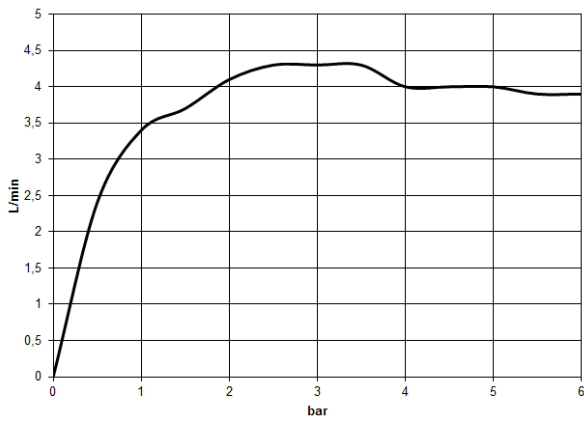
**Concealed wall-mounted mixer variable positioning -** 35 720 970 90

- max. recess depth 145 mm
- min. recess depth 85 mm

36 707 811  
mm [inches]



**Flow rate chart**



**Codes & Standards**

DIN 4109

ISO 3822

NSF372

NSF61

Scottish Water  
Byelaws

UK Water Supply  
Regulations

Ü-Zeichen



CYO Wall-mounted basin mixer without pop-up waste - Platinum / Brushed  
Platinum

---

CYO

36 707 811  
Certificates

---

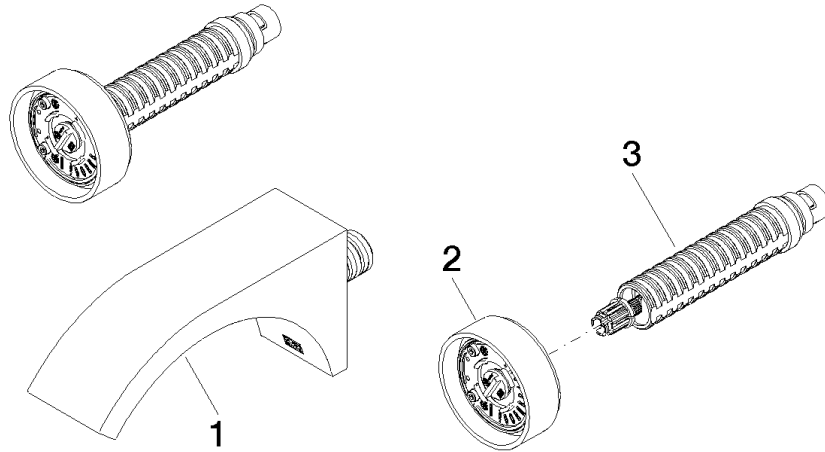
WRAS\_2111

IAPMO\_6397

IAPMO\_N-4976

LGA\_38

36 707 811





CYO Wall-mounted basin mixer without pop-up waste - Platinum / Brushed Platinum

CYO

36 707 811

**Spare parts list**

No.	Item Number	Name	Quantity used	Delivery time
	13 800 811-36	CYO Wall-mounted basin spout without pop-up waste - Platinum / Brushed Platinum	3	20