

## MEM Wall-mounted basin mixer without pop-up waste - Dark Chrome

36 712 782



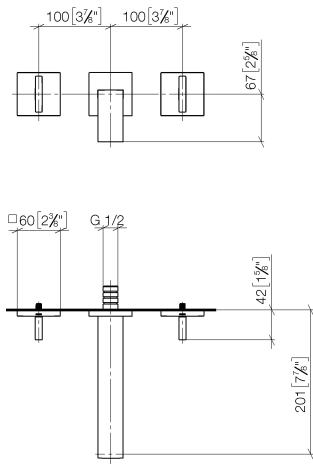
- 200mm projection
- fixed spout
- rectangular, air-enriched flow
- hole diameter valve 40 mm
- hole diameter spout 40 mm
- individual rosettes 60 x 60 mm
- max. flow 5.7 l/min
- lead-free
- This product can help a building meet the requirements of Green Building Rating Systems, e.g. LEED®, BREEAM®, DGNB
- WRAS

	Dark Chrome	36 712 782-19
	Chrome	36 712 782-00
	Brushed Platinum	36 712 782-06
	Platinum	36 712 782-08
	Brushed Durabronze (23kt Gold)	36 712 782-28
	Brushed Champagne (22kt Gold)	36 712 782-46
	Champagne (22kt Gold)	36 712 782-47
	Brushed Dark Platinum	36 712 782-99

**MEM Wall-mounted basin mixer without pop-up waste - Dark Chrome**

36 712 782

mm [inches]



**Flow rate chart**



**Codes & Standards**

DIN 4109

ISO 3822

Scottish Water  
Byelaws

UK Water Supply  
Regulations

**Ü-Zeichen**



## MEM Wall-mounted basin mixer without pop-up waste - Dark Chrome

---

36 712 782

### Certificates

---

LGA\_18

WRAS\_2204

# MEM Wall-mounted basin mixer without pop-up waste - Dark Chrome

36 712 782

Parts for other finishes can be found here: [Chrome](#)

