

36 712 809



- 190mm projection
- fixed spout
- circular, air-enriched flow
- hole diameter valve 37 mm
- hole diameter spout 40 mm
- rosettes Ø 60 mm
- max. flow 5.7 l/min
- lead-free
- This product can help a building meet the requirements of Green Building Rating Systems, e.g. LEED®, BREEAM®, DGNB
- WRAS 2312073

	Brushed Bronze	36 712 809-42
	Chrome	36 712 809-00
	Brushed Platinum	36 712 809-06
	Platinum	36 712 809-08
	Dark Chrome	36 712 809-19
	Brushed Durabronze (23kt Gold)	36 712 809-28
	Brushed Champagne (22kt Gold)	36 712 809-46
	Champagne (22kt Gold)	36 712 809-47
	Brushed Dark Platinum	36 712 809-99

Required miscellaneous



**Concealed wall-mounted mixer centred spout -** 35 700 970 90

- min. recess depth 85 mm
- max. recess depth 145 mm

Required miscellaneous

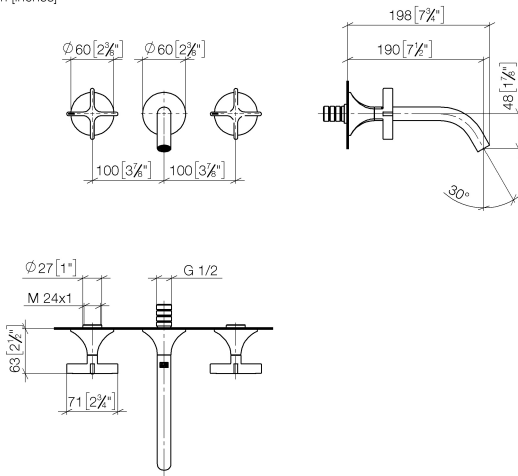


**Concealed wall-mounted mixer variable positioning -** 35 720 970 90

- min. recess depth 85 mm
- max. recess depth 145 mm

36 712 809

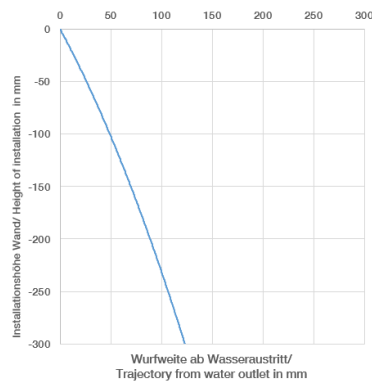
mm [inches]



**Flow rate chart**



**Trajectory diagram**



**Codes & Standards**

DIN 4109

ISO 3822

Scottish Water  
Byelaws

UK Water Supply  
Regulations

**Ü-Zeichen**



VAIA Wall-mounted basin mixer without pop-up waste - Brushed Bronze

---

VAIA

36 712 809

Certificates

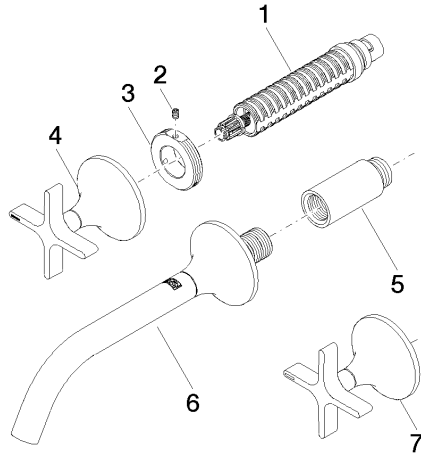
---

LGA\_29

WRAS\_2312

36 712 809

Product version from 3/13/2017





VAIA Wall-mounted basin mixer without pop-up waste - Brushed Bronze

VAIA

36 712 809

**Spare parts list**

**Product version from 3/13/2017**

No.	Item Number	Name	Quantity used	Delivery time
	90 90 03 157 00 90	top	10	2