



CYO Wall-mounted basin mixer without pop-up waste - Brushed Durabrass (23kt Gold)

36 712 811



- 190mm projection
- fixed spout
- rectangular, air-enriched flow
- hole diameter valve 37 mm
- hole diameter spout 37 mm
- handle Ø 60mm
- max. flow 4.5 l/min
- lead-free
- This product can help a building meet the requirements of Green Building Rating Systems, e.g. LEED®, BREEAM®, DGNB
- WRAS

NOTE: The handle inserts must be ordered separately from the fittings!

NOTE: The handle inserts must be ordered separately from the fittings!

| | | |
|--|---|---------------|
| | Brushed Durabrass (23kt Gold) | 36 712 811-28 |
| | Chrome | 36 712 811-00 |
| | Brushed Platinum | 36 712 811-06 |
| | Dark Chrome | 36 712 811-19 |
| | Platinum / Brushed Platinum | 36 712 811-36 |
| | Durabrass / Brushed Durabrass (23kt Gold) | 36 712 811-38 |
| | Brushed Dark Platinum | 36 712 811-99 |

Required miscellaneous



- Concealed wall-mounted mixer centred spout -** 35 700 970 90
- max. recess depth mm
 - min. recess depth mm

Required miscellaneous

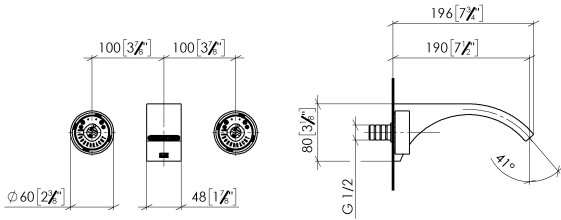


- Concealed wall-mounted mixer variable positioning -** 35 720 970 90
- min. recess depth mm
 - max. recess depth mm

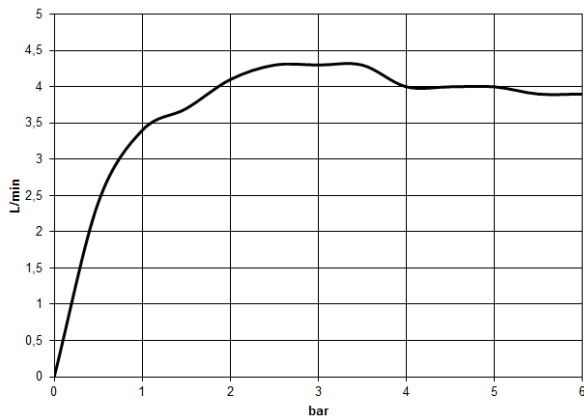


CYO Wall-mounted basin mixer without pop-up waste - Brushed Durabross (23kt Gold)

36 712 811
mm [inches]



Flow rate chart



Codes & Standards

DIN 4109

ISO 3822

NSF372

NSF61

Scottish Water
Byelaws

UK Water Supply
Regulations

Ü-Zeichen



CYO Wall-mounted basin mixer without pop-up waste - Brushed Durabross
(23kt Gold)

36 712 811

Certificates

WRAS_2111

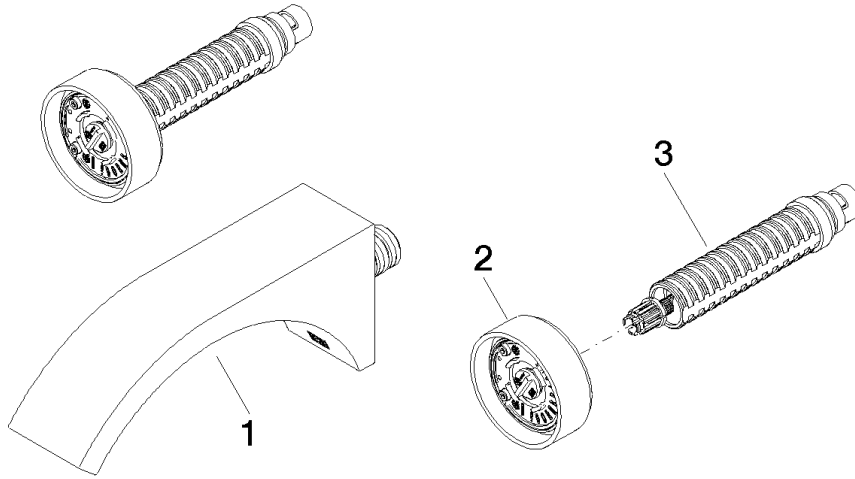
IAPMO_N-4976

IAPMO_6397

LGA_38

**CYO Wall-mounted basin mixer without pop-up waste - Brushed Durabross
(23kt Gold)**

36 712 811



Spare parts list

| No. | Item Number | Name | Quantity used | Delivery time |
|-----|--------------------|--|---------------|---------------|
| 1 | 13 805 811-28 | CYO Wall-mounted basin spout without pop-up waste - Brushed Durabross (23kt Gold) | 1 | 20 |
| 2 | 90 18 40 290 00-28 | handle | 1 | 20 |
| 3 | 90 90 03 171 01 90 | top | 1 | 2 |