

36 819 892



- 325-495mm projection
- pivoting spout
- laminar flow
- rosette Ø 55 mm
- max. flow 19.9 l/min at 3 bar flow pressure
- lead-free

Required miscellaneous



- Concealed wall-mounted mixer centred spout -** 35 700 970 90
- max. recess depth 145 mm
 - min. recess depth 85 mm

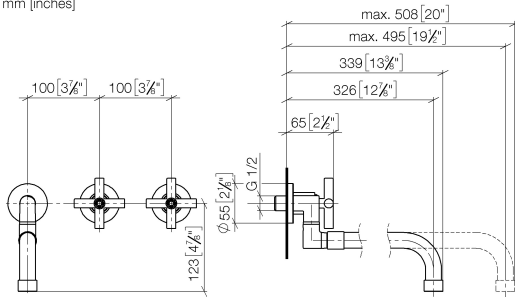
Required miscellaneous



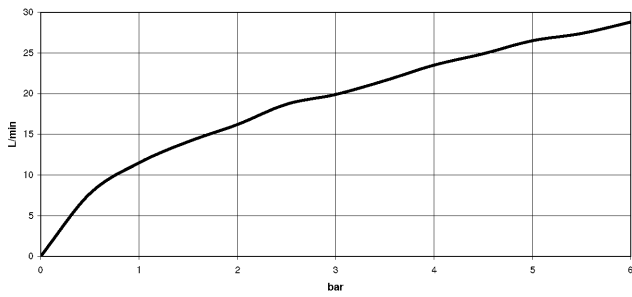
- Concealed wall-mounted mixer variable positioning -** 35 720 970 90
- max. recess depth 145 mm
 - min. recess depth 85 mm

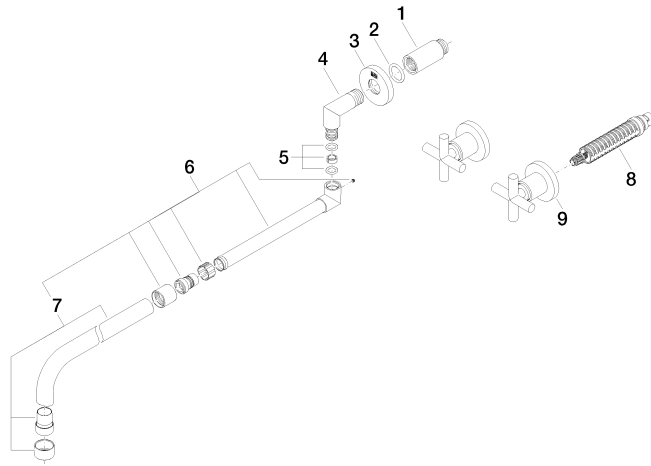
36 819 892

mm [inches]



Flow rate chart







TARA Wall-mounted sink mixer with extending spout - Chrome

TARA

36 819 892

Spare parts list

No.	Item Number	Name	Quantity used	Delivery time
	09 24 03 081 10 90	extension	11	2