

META Wall-mounted single-lever basin mixer without pop-up waste - Dark Chrome

META


36 860 660




- 190mm projection
- fixed spout
- circular, air-enriched flow
- hole diameter spout 37 mm
- hole diameter single-lever mixer 57 mm
- rosette for spout Ø 55mm
- rosette for mixer Ø 78mm
- max. flow 5.7 l/min
- lead-free
- This product can help a building meet the requirements of Green Building Rating Systems, e.g. LEED®, BREEAM®, DGNB

	Dark Chrome	36 860 660-19
	Chrome	36 860 660-00
	Brushed Platinum	36 860 660-06
	Light Gold	36 860 660-26
	Brushed Light Gold	36 860 660-27
	Matte Black	36 860 660-33
	Brushed Bronze	36 860 660-42
	Brushed Champagne (22kt Gold)	36 860 660-46
	Champagne (22kt Gold)	36 860 660-47
	Brushed Chrome	36 860 660-93
	Brushed Dark Platinum	36 860 660-99

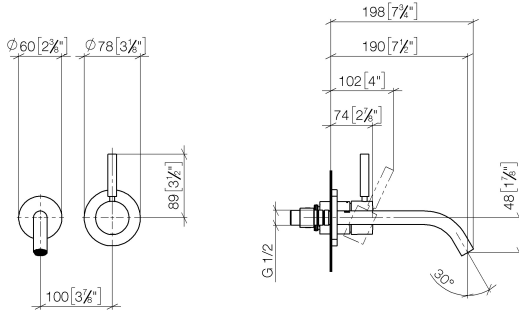
Required miscellaneous

-  **Concealed wall-mounted single-lever mixer mixer on right -** 35 816 970 90
- NOTE:Not suitable for concealed installation.Connection by means of angle valves, mounted with screws to back wall.

Required miscellaneous

-  **Concealed wall-mounted single-lever mixer -** 35 860 970 90
- max. recess depth 95 mm
 - min. recess depth 80 mm

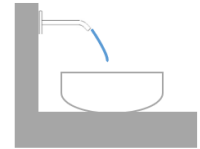
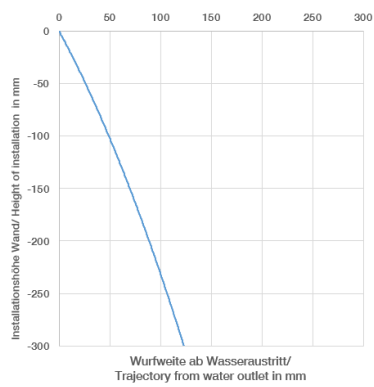
36 860 660
mm [inches]



Flow rate chart



Trajectory diagram



Certificates

DVGW_DW- WRAS_2107018.
6512DN0435.

36 860 660

