

**META Wall-mounted single-lever basin mixer without pop-up waste - Brushed Dark Platinum**

META

36 860 660



- 190mm projection
- fixed spout
- circular, air-enriched flow
- hole diameter spout 37 mm
- hole diameter single-lever mixer 57 mm
- rosette for spout Ø 55mm
- rosette for mixer Ø 78mm
- max. flow 5.7 l/min
- lead-free
- This product can help a building meet the requirements of Green Building Rating Systems, e.g. LEED®, BREEAM®, DGNB

|   |                               |               |
|---|-------------------------------|---------------|
|    | Brushed Dark Platinum         | 36 860 660-99 |
|    | Chrome                        | 36 860 660-00 |
|    | Brushed Platinum              | 36 860 660-06 |
|    | Dark Chrome                   | 36 860 660-19 |
|    | Light Gold                    | 36 860 660-26 |
|    | Brushed Light Gold            | 36 860 660-27 |
|    | Matte Black                   | 36 860 660-33 |
|    | Brushed Bronze                | 36 860 660-42 |
|   | Brushed Champagne (22kt Gold) | 36 860 660-46 |
|  | Champagne (22kt Gold)         | 36 860 660-47 |
|  | Brushed Chrome                | 36 860 660-93 |

**Required miscellaneous**



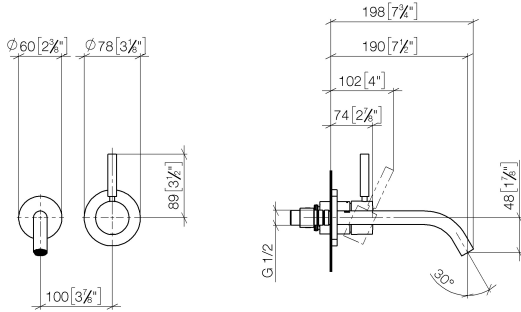
**Concealed wall-mounted single-lever mixer mixer on right -** 35 816 970 90  
 •NOTE:Not suitable for concealed installation.Connection by means of angle valves, mounted with screws to back wall.

**Required miscellaneous**



**Concealed wall-mounted single-lever mixer -** 35 860 970 90  
 •min. recess depth 80 mm  
 •max. recess depth 95 mm

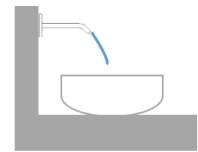
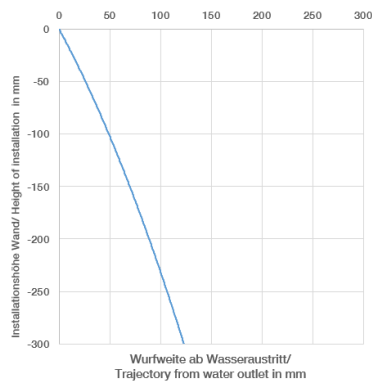
36 860 660  
mm [inches]



Flow rate chart



Trajectory diagram

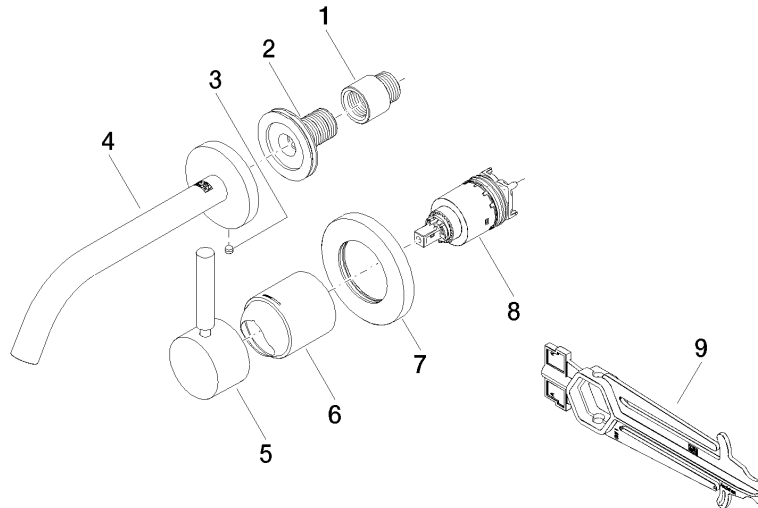


Certificates

DVGW\_DW-  
6512DN0435.

WRAS\_2107018.

36 860 660



### Spare parts list

| No. | Item Number        | Name      | Quantity used | Delivery time |
|-----|--------------------|-----------|---------------|---------------|
| 1   | 09 24 03 072 10 90 | nipple    | 1             | 2             |
| 2   | 90 24 03 280 00 90 | nipple    | 1             | 2             |
| 3   | 09 31 11 112 90    | pin       | 1             | 60            |
| 4   | 90 28 22 323 00-99 | spout     | 1             | 30            |
| 5   | 90 20 66 007 00-99 | handle    | 1             | 30            |
| 6   | 09 11 02 288-99    | cover     | 1             | 30            |
| 7   | 90 27 62 011 00-99 | rosette   | 1             | 30            |
| 8   | 90 15 05 064 01 90 | cartridge | 1             | 2             |
| 9   | 90 30 09 064 00 90 | key       | 1             | 2             |