



LULU Wall-mounted single-lever basin mixer without pop-up waste - Brushed Platinum

36 860 710



- 200mm projection
- fixed spout
- circular, air-enriched flow
- hole diameter spout 37 mm
- hole diameter single-lever mixer 57 mm
- rosette 78 x 78 mm
- max. flow 7 l/min
- lead-free
- This product can help a building meet the requirements of Green Building Rating Systems, e.g. LEED®, BREEAM®, DGNB
- WRAS

	Brushed Platinum	36 860 710-06
	Chrome	36 860 710-00

Required miscellaneous



Concealed wall-mounted single-lever mixer mixer on right - 35 816 970 90
 •NOTE:Not suitable for concealed installation.Connection by means of angle valves, mounted with screws to back wall.

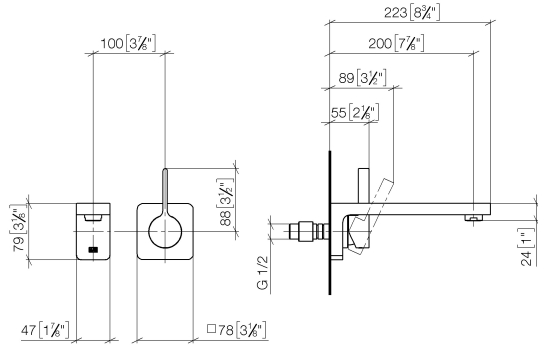
Required miscellaneous



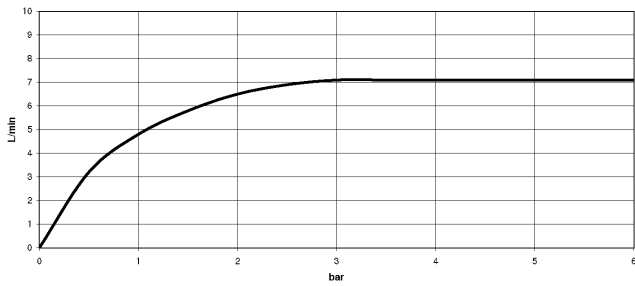
Concealed wall-mounted single-lever mixer - 35 860 970 90
 •max. recess depth mm
 •min. recess depth mm
 •mixer can be placed above, to the left or to the right of the spout.

LULU Wall-mounted single-lever basin mixer without pop-up waste - Brushed Platinum

36 860 710
mm [inches]



Flow rate chart



Codes & Standards

DIN 4109

EN 817

ISO 3822

Scottish Water
Byelaws

UK Water Supply
Regulations

Ü-Zeichen



LULU Wall-mounted single-lever basin mixer without pop-up waste - Brushed Platinum

36 860 710

Certificates

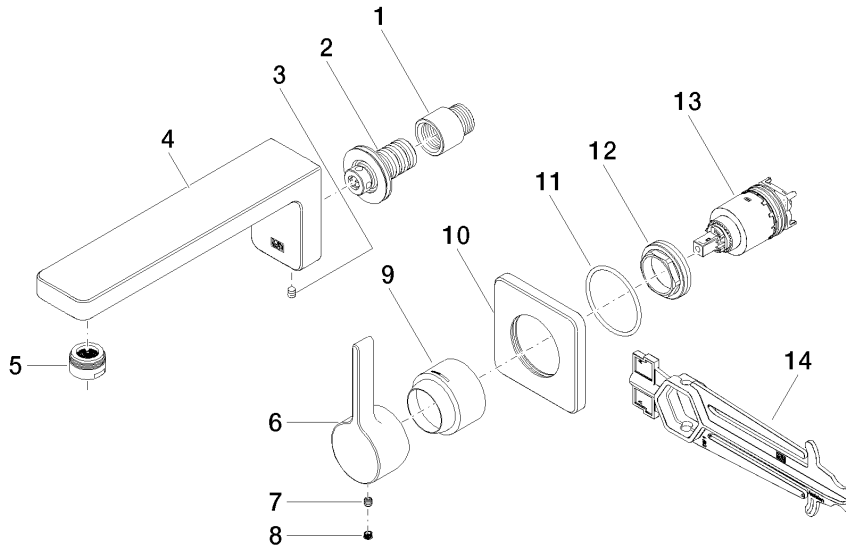
WRAS_2107

DVGW_DW-
6512DN0

LGA_29

**LULU Wall-mounted single-lever basin mixer without pop-up waste - Brushed
Platinum**

36 860 710



Spare parts list

No.	Item Number	Name	Quantity used	Delivery time
1	09 24 03 072 10 90	nipple	1	2
2	90 24 03 108 00 90	nipple set	1	2
3	90 31 11 004 00 90	pin	1	2
4	09 11 71 090 10-06	spout	1	10
5	90 23 01 118 01-06	aerator	1	10
6	09 20 71 001-06	handle	1	60
7	90 31 11 030 00 90	pin	1	2
8	90 31 20 109 00 90	plug	1	2
9	09 11 02 530-06	cover	1	10
10	09 27 71 001-06	rosette	1	60
11	90 14 10 049 00 90	seal	1	2
12	09 24 04 105 90	nut	1	2
13	90 15 05 064 01 90	cartridge	1	2
14	90 30 09 064 00 90	key	1	2