

**MEM Wall-mounted single-lever basin mixer without pop-up waste - Dark Chrome**

36 860 782



- 177mm projection
- fixed spout
- rectangular, air-enriched flow
- hole diameter spout 37 mm
- hole diameter single-lever mixer 57 mm
- rosette for spout 80 x 60mm
- rosette for mixer 80 x 80mm
- max. flow 5.7 l/min
- lead-free
- This product can help a building meet the requirements of Green Building Rating Systems, e.g. LEED®, BREEAM®, DGNB
- WRAS

	Dark Chrome	36 860 782-19
	Chrome	36 860 782-00
	Brushed Platinum	36 860 782-06
	Platinum	36 860 782-08
	Brushed Durabronze (23kt Gold)	36 860 782-28
	Brushed Champagne (22kt Gold)	36 860 782-46
	Champagne (22kt Gold)	36 860 782-47
	Brushed Dark Platinum	36 860 782-99

**Required miscellaneous**



**Concealed wall-mounted single-lever mixer on right -** 35 816 970 90  
 •NOTE:Not suitable for concealed installation.Connection by means of angle valves, mounted with screws to back wall.

**Required miscellaneous**

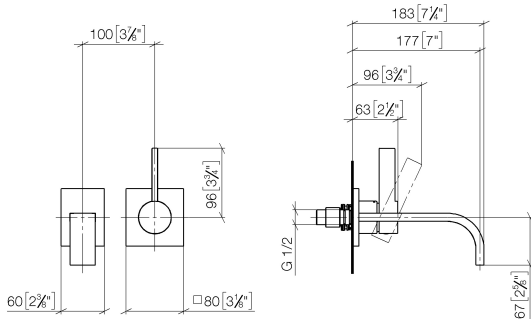


**Concealed wall-mounted single-lever mixer -** 35 860 970 90  
 •min. recess depth mm  
 •max. recess depth mm  
 •mixer can be placed above, to the left or to the right of the spout.

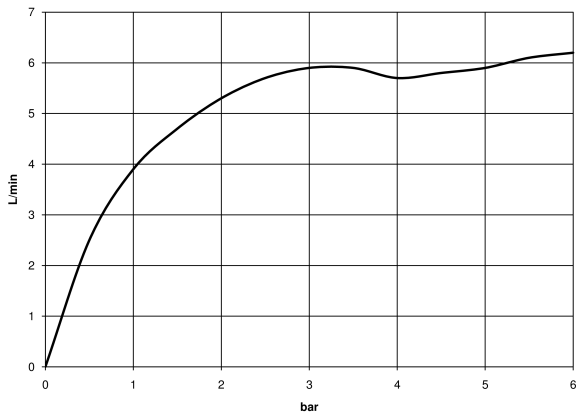


## MEM Wall-mounted single-lever basin mixer without pop-up waste - Dark Chrome

36 860 782  
mm [inches]



### Flow rate chart



### Codes & Standards

DIN 4109

EN 817

ISO 3822

Scottish Water  
Byelaws

UK Water Supply  
Regulations

Ü-Zeichen



## MEM Wall-mounted single-lever basin mixer without pop-up waste - Dark Chrome

---

36 860 782

Certificates

---

LGA\_29

DVGW\_DW-  
6512DN0

WRAS\_2107

MEM Wall-mounted single-lever basin mixer without pop-up waste - Dark  
Chrome

36 860 782

