

META META PURE Wall-mounted single-lever basin mixer without pop-up waste - Brushed Platinum

36 861 664 Product version from 7/1/2023



- 250mm projection
- fixed spout
- circular, air-enriched flow
- hole diameter spout 37 mm
- hole diameter single-lever mixer 57 mm
- rosette for spout Ø 55mm
- rosette for mixer Ø 78mm
- max. flow 5.7 l/min
- lead-free
- This product can help a building meet the requirements of Green Building Rating Systems, e.g. LEED®, BREEAM®, DGNB
- WRAS

| | | |
|---|-------------------------------|---------------|
|  | Brushed Platinum | 36 861 664-06 |
|  | Chrome | 36 861 664-00 |
|  | Dark Chrome | 36 861 664-19 |
|  | Light Gold | 36 861 664-26 |
|  | Brushed Light Gold | 36 861 664-27 |
|  | Matte Black | 36 861 664-33 |
|  | Brushed Bronze | 36 861 664-42 |
|  | Brushed Champagne (22kt Gold) | 36 861 664-46 |
|  | Champagne (22kt Gold) | 36 861 664-47 |
|  | Brushed Chrome | 36 861 664-93 |
|  | Brushed Dark Platinum | 36 861 664-99 |

Required miscellaneous



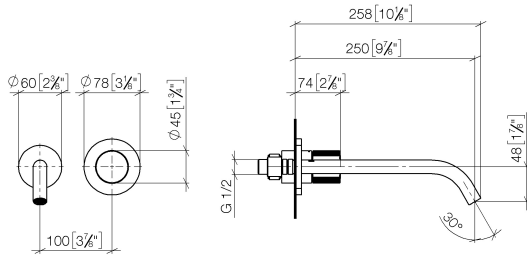
Concealed wall-mounted single-lever mixer - 35 860 970 90

- max. recess depth mm
- min. recess depth mm
- mixer can be placed above, to the left or to the right of the spout.

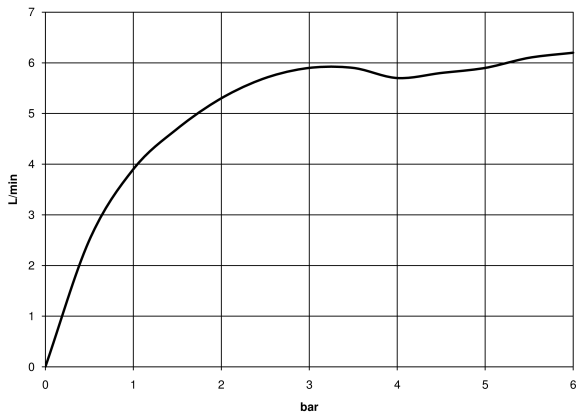


META META PURE Wall-mounted single-lever basin mixer without pop-up waste - Brushed Platinum

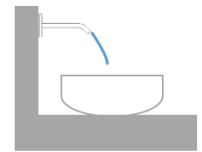
36 861 664 Product version from 7/1/2023
mm [inches]



Flow rate chart



Trajectory diagram



Codes & Standards

DIN 4109

EN 817

ISO 3822

Scottish Water
Byelaws

UK Water Supply
Regulations

Ü-Zeichen



META META PURE Wall-mounted single-lever basin mixer without pop-up waste - Brushed Platinum

36 861 664 Product version from 7/1/2023

Certificates

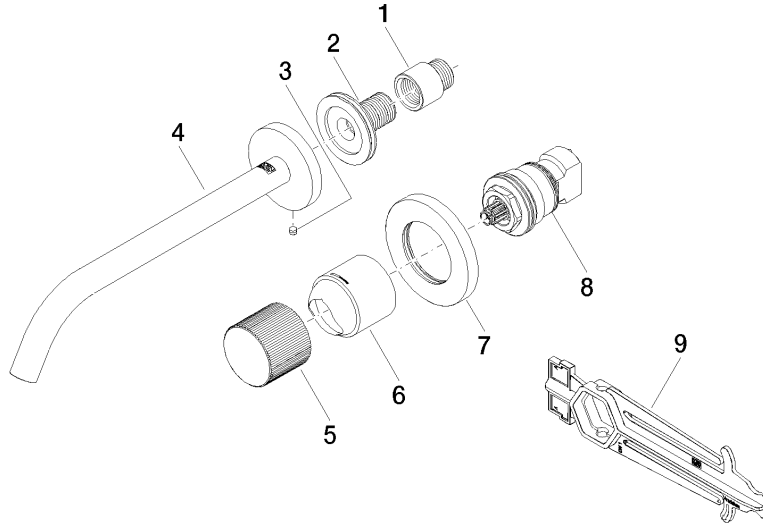
WRAS_2010

DVGW_DW-
6512DN0

LGA_29

META META PURE Wall-mounted single-lever basin mixer without pop-up waste - Brushed Platinum

36 861 664 Product version from 7/1/2023



Spare parts list

| No. | Item Number | Name | Quantity used | Delivery time |
|-----|--------------------|---------|---------------|---------------|
| 1 | 09 24 03 072 10 90 | nipple | 1 | 2 |
| 2 | 90 24 03 280 00 90 | nipple | 1 | 2 |
| 3 | 09 31 11 112 90 | pin | 1 | 60 |
| 4 | 90 28 22 324 00-06 | spout | 1 | 10 |
| 5 | 09 20 66 010-06 | handle | 1 | 10 |
| 6 | 09 11 02 389-06 | cover | 1 | 10 |
| 7 | 90 27 62 011 00-06 | rosette | 1 | 10 |
| 8 | 90 90 03 169 02 90 | top | 1 | 2 |
| 9 | 90 30 09 064 00 90 | key | 1 | 2 |