

**META Wall-mounted single-lever basin mixer with individual rosettes - Dark Chrome**

36 863 660



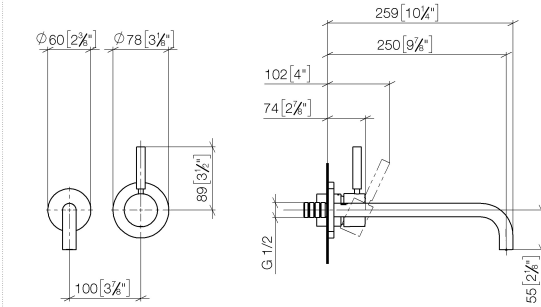
- 90° spout
- 250mm projection
- fixed spout
- circular, air-enriched flow
- hole diameter spout 37 mm
- hole diameter single-lever mixer 57 mm
- rosette for spout Ø 60mm
- rosette for mixer Ø 78mm
- max. flow 5.7 l/min
- lead-free
- This product can help a building meet the requirements of Green Building Rating Systems, e.g. LEED®, BREEAM®, DGNB
- WRAS

	Dark Chrome	36 863 660-19
	Chrome	36 863 660-00
	Brushed Platinum	36 863 660-06
	Light Gold	36 863 660-26
	Brushed Light Gold	36 863 660-27
	Matte Black	36 863 660-33
	Brushed Bronze	36 863 660-42
	Brushed Champagne (22kt Gold)	36 863 660-46
	Champagne (22kt Gold)	36 863 660-47
	Brushed Chrome	36 863 660-93
	Brushed Dark Platinum	36 863 660-99

**META Wall-mounted single-lever basin mixer with individual rosettes - Dark Chrome**

36 863 660

mm [inches]



**Flow rate chart**



**Codes & Standards**

Scottish Water  
Byelaws

UK Water Supply  
Regulations



## META Wall-mounted single-lever basin mixer with individual rosettes - Dark Chrome

---

36 863 660

Certificates

---

WRAS\_2107



# META Wall-mounted single-lever basin mixer with individual rosettes - Dark Chrome

36 863 660  
Parts for other  
finishes can be found  
here: [Chrome](#)

