
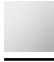
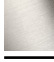










META Wall-mounted single-lever basin mixer with individual rosettes - Brushed Champagne (22kt Gold)

36 863 660 Product version from 7/1/2023



- 90° spout
- 250mm projection
- fixed spout
- circular, air-enriched flow
- hole diameter spout 37 mm
- hole diameter single-lever mixer 57 mm
- rosette for spout Ø 60mm
- rosette for mixer Ø 78mm
- max. flow 5.7 l/min
- lead-free
- This product can help a building meet the requirements of Green Building Rating Systems, e.g. LEED®, BREEAM®, DGNB
- WRAS

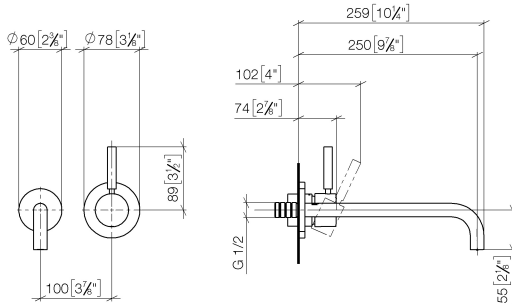
	Brushed Champagne (22kt Gold)	36 863 660-46
	Chrome	36 863 660-00
	Brushed Platinum	36 863 660-06
	Dark Chrome	36 863 660-19
	Light Gold	36 863 660-26
	Brushed Light Gold	36 863 660-27
	Matte Black	36 863 660-33
	Brushed Bronze	36 863 660-42
	Champagne (22kt Gold)	36 863 660-47
	Brushed Chrome	36 863 660-93
	Brushed Dark Platinum	36 863 660-99



META Wall-mounted single-lever basin mixer with individual rosettes - Brushed Champagne (22kt Gold)

36 863 660 Product version from 7/1/2023

mm [inches]



Flow rate chart



Codes & Standards

Scottish Water
Byelaws

UK Water Supply
Regulations



META Wall-mounted single-lever basin mixer with individual rosettes - Brushed Champagne (22kt Gold)

36 863 660 Product version from 7/1/2023

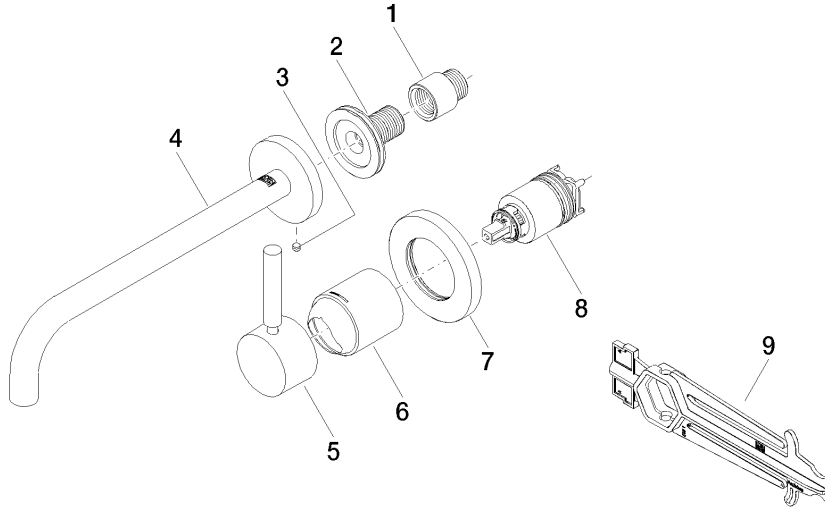
Certificates

WRAS_2107

**META Wall-mounted single-lever basin mixer with individual rosettes - Brushed
Champagne (22kt Gold)**

36 863 660 Product version from 7/1/2023

Parts for other
finishes can be found
here: [Chrome](#)



Spare parts list

No.	Item Number	Name	Quantity used	Delivery time
1	09 24 03 072 10 90	nipple	1	2
2	90 24 03 280 00 90	nipple	1	2
3	09 31 11 112 90	pin	1	60
4	90 28 22 352 00-46	spout	1	30
5	90 20 66 007 00-46	handle	1	30
6	09 11 02 288-46	cover	1	60
7	90 27 62 011 00-46	rosette	1	30
8	90 15 05 064 01 90	cartridge	1	2
9	90 30 09 064 00 90	key	1	2