

# MEM Wall-mounted single-lever basin mixer with cover plate without pop-up waste - Brushed Dark Platinum

MEM

36 863 782



- 177mm projection
- fixed spout
- rectangular, air-enriched flow
- hole diameter spout 37 mm
- hole diameter single-lever mixer 57 mm
- cover plate 80 x 180 mm
- max. flow 5.7 l/min
- lead-free
- This product can help a building meet the requirements of Green Building Rating Systems, e.g. LEED®, BREEAM®, DGNB

|  |                                |               |
|--|--------------------------------|---------------|
|  | Brushed Dark Platinum          | 36 863 782-99 |
|  | Chrome                         | 36 863 782-00 |
|  | Brushed Platinum               | 36 863 782-06 |
|  | Platinum                       | 36 863 782-08 |
|  | Dark Chrome                    | 36 863 782-19 |
|  | Brushed Durabronze (23kt Gold) | 36 863 782-28 |
|  | Brushed Champagne (22kt Gold)  | 36 863 782-46 |
|  | Champagne (22kt Gold)          | 36 863 782-47 |

## Required miscellaneous



- Concealed wall-mounted single-lever mixer mixer on right -** 35 816 970 90
- NOTE:Not suitable for concealed installation.Connection by means of angle valves, mounted with screws to back wall.

## Required miscellaneous

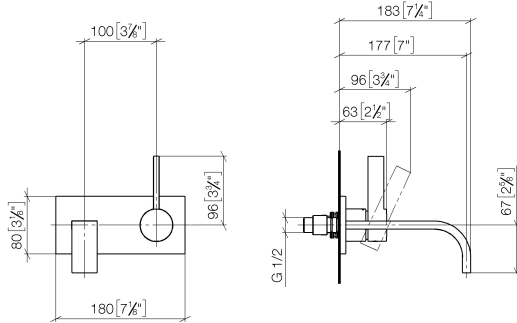


- Concealed wall-mounted single-lever mixer -** 35 860 970 90
- max. recess depth 95 mm
  - min. recess depth 80 mm

**MEM Wall-mounted single-lever basin mixer with cover plate without pop-up waste - Brushed Dark Platinum**

MEM

36 863 782  
mm [inches]



**Flow rate chart**



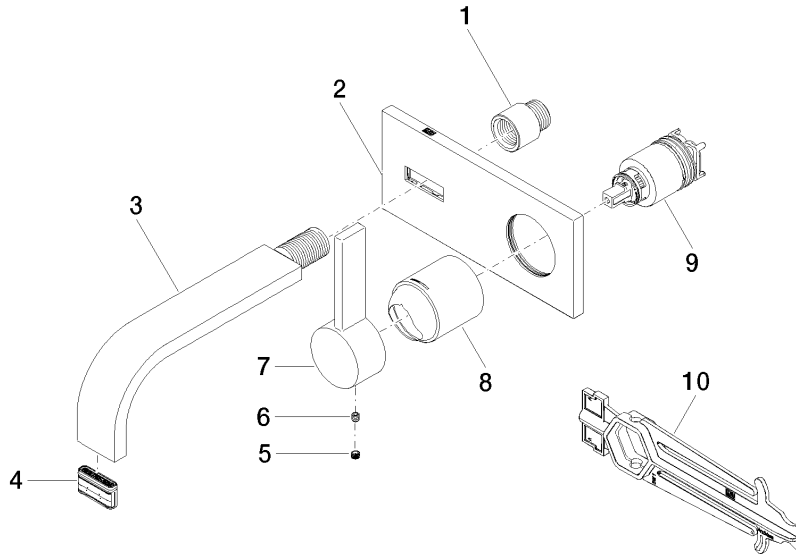
**Certificates**

LGA\_29907.

DVGW\_DW-  
6512DN0435.

WRAS\_2107018.

36 863 782



**Spare parts list**

| No. | Item Number        | Name      | Quantity used | Delivery time |
|-----|--------------------|-----------|---------------|---------------|
| 1   | 09 24 03 072 10 90 | nipple    | 1             | 2             |
| 2   | 90 11 01 186 00-99 | plate     | 1             | 30            |
| 3   | 04 28 22 150 10-99 | spout     | 1             | 30            |
| 4   | 90 29 03 109 00 90 | aerator   | 1             | 2             |
| 5   | 90 31 20 109 00 90 | plug      | 1             | 2             |
| 6   | 90 31 11 030 00 90 | pin       | 1             | 2             |
| 7   | 09 20 78 058-99    | handle    | 1             | 30            |
| 8   | 09 11 02 288-99    | cover     | 1             | 30            |
| 9   | 90 15 05 064 01 90 | cartridge | 1             | 2             |
| 10  | 90 30 09 064 00 90 | key       | 1             | 2             |