

ST 010 100 1845



- 130mm projection
  - fixed spout
  - circular, air-enriched flow
  - height of mixer 95 mm
  - height up to aerator 75 mm
  - hole diameter 35 mm
  - 2x screw-in M 10 x 1 pressure hose, leak-tested
  - 1/2" connection
  - max. flow 5.7 l/min
  - lead-free
  - automatic hygiene flush
  - suitable for thermal disinfection
  - adjustable follow-up time
  - high-frequency sensors with self-calibration
  - magnetic valve
  - temperature setting via thermostat
  - 100-240 V AC / 12 V DC, 50-60 Hz, 18 W power supply unit, incl. country-specific adapter set
  - This product can help a building meet the requirements of Green Building Rating Systems, e.g. LEED®, BREEAM®, DGNB
- Cannot be combined with basins in conducting materials (e.g. steel, river stone).**  
**Cannot be combined with basins that have a closing drain.**  
**ATTENTION: Separate terms and conditions for electronic articles are applicable.**

**Individual components of this set**

You need the following components for this set



1x 42 765 970 90



1x 13 700 845-00



LISSÉ eSET Touchfree Basin mixer without pop-up waste with temperature setting - Chrome

---

LISSÉ

ST 010 100 1845

ST 010 100 1845



Fits: IMO, LULU, MADISON, MEM, TARA, CL.1, LISSÉ, VAIA, META, CYO

- automatic hygiene flush
  - suitable for thermal disinfection
  - adjustable follow-up time
  - high-frequency sensors with self-calibration
  - magnetic valve
  - temperature setting via thermostat
  - 100-240 V AC / 12 V DC, 50-60 Hz, 18 W power supply unit, incl. country-specific adapter set
- Cannot be combined with basins in conducting materials (e.g. steel, river stone).  
Cannot be combined with basins that have a closing drain.**
- ATTENTION: Separate terms and conditions for electronic articles are applicable.**

Cannot be combined with basins in conducting materials (e.g. steel, river stone).

Cannot be combined with basins that have a closing drain.

ATTENTION: Separate terms and conditions for electronic articles are applicable.

**Required miscellaneous**



**eSET Touchfree Basin mixer with temperature setting for combining with free-standing fittings -** 35 740 970 90

**Required miscellaneous**



**eSET Touchfree Basin mixer with temperature setting for combining with wall-mounted fittings -** 35 741 970 90

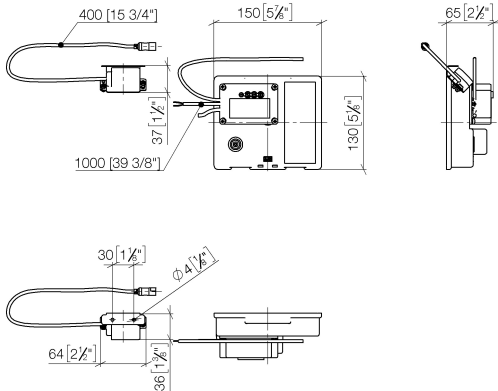
- max. recess depth 125 mm
- min. recess depth 90 mm

**Recommended miscellaneous**

**Extension for Touchfree 500 mm -** 12 765 970 90



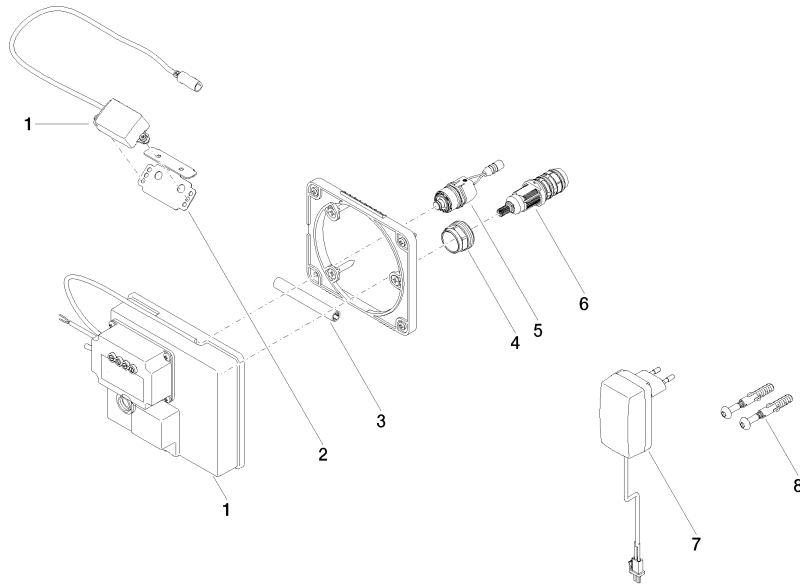
ST 010 100 1845  
mm [inches]



**Certificates**

LGA_29120.	WRAS_1906116.	IAPMO_EGS.	CE000001_eSet_Tou chfree_20171206_D E_signed.	CE000002_eSet_Tou chfree_20171206_E N_signed.
LGA_29119.				

ST 010 100 1845



**Spare parts list**

No.	Item Number	Name	Quantity used	Delivery time
1	90 10 01 177 00 90	electronic accessories	1	2
2	90 17 20 199 00 90	holder	1	2
3	90 23 01 124 00 90	sleeve	1	2
4	09 23 10 129 90	nut	1	2
5	04 30 50 079 00 90	valve	1	2
6	90 15 02 013 00 90	cartridge	1	2
7	04 10 01 246 00 90	electronic accessories	1	2
8	04 30 31 024 01 90	fixing set	1	2

**LISSE eSET Touchfree Basin mixer without pop-up waste with temperature setting - Chrome**



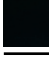


LISSE

ST 010 100 1845



- 130mm projection
- fixed spout
- circular, air-enriched flow
- height of mixer 95 mm
- height up to aerator 75 mm
- hole diameter 35 mm
- 1/2" connection
- max. flow 5.7 l/min
- lead-free
- This product can help a building meet the requirements of Green Building Rating Systems, e.g. LEED®, BREEAM®, DGNB

For Touchfree control please order eSet Touchfree WITH or WITHOUT temperature adjustment

	Chrome	13 700 845-00
	Dark Chrome	13 700 845-19
	Matte Black	13 700 845-33
	Brushed Chrome	13 700 845-93
	Brushed Dark Platinum	13 700 845-99



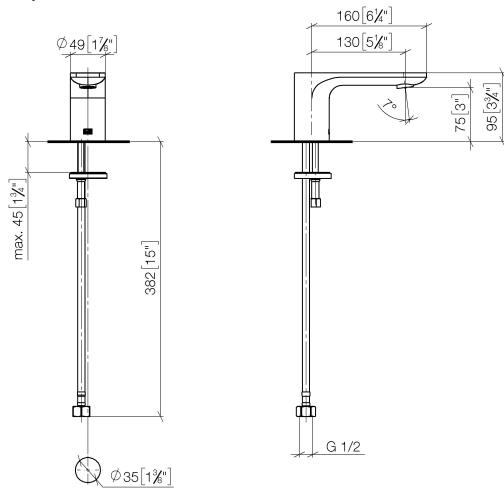
LISSÉ eSET Touchfree Basin mixer without pop-up waste with temperature setting - Chrome

---

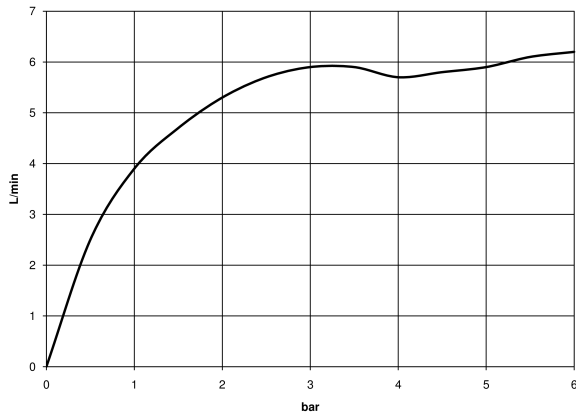
LISSÉ

ST 010 100 1845

ST 010 100 1845  
mm [inches]



**Flow rate chart**



**Certificates**

LGA\_29120.

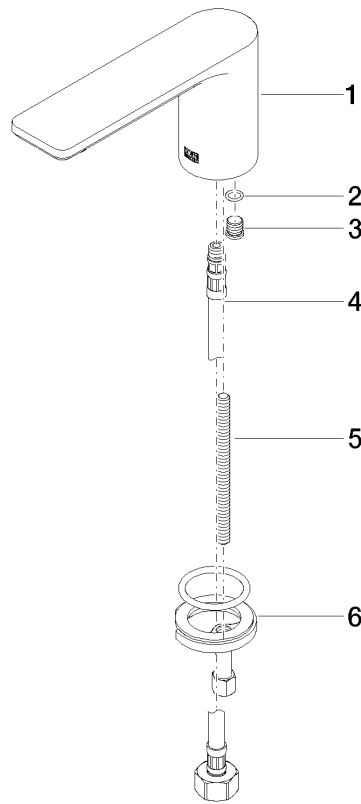
IAPMO\_N-4976.

WRAS\_1909064.

IAPMO\_4976 (4).

IAPMO\_6397.





**Spare parts list**

No.	Item Number	Name	Quantity used	Delivery time
1	90 11 84 015 00-00	spout	1	10
2	90 14 10 060 00 90	seal	1	2
3	09 31 20 065 90	plug	1	2
4	04 30 04 019 00 90	hose	1	2
5	09 31 11 012 90	pin	1	2
6	04 30 11 038 75 90	fixing set	1	2