

ST 010 100 2845



- 130mm projection
 - fixed spout
 - circular, air-enriched flow
 - height of mixer 95 mm
 - height up to aerator 75 mm
 - hole diameter 35 mm
 - 2x screw-in M 10 x 1 pressure hose, leak-tested
 - 1/2" connection
 - max. flow 5.7 l/min
 - lead-free
 - automatic hygiene flush
 - suitable for thermal disinfection
 - adjustable follow-up time
 - high-frequency sensors with self-calibration
 - magnetic valve
 - 100-240 V AC / 12 V DC, 50-60 Hz, 18 W power supply unit, incl. country-specific adapter set
 - This product can help a building meet the requirements of Green Building Rating Systems, e.g. LEED®, BREEAM®, DGNB
- Cannot be combined with basins in conducting materials (e.g. steel, river stone).**
Cannot be combined with basins that have a closing drain.
ATTENTION: Separate terms and conditions for electronic articles are applicable.

Individual components of this set

You need the following components for this set



1x

42 766 970 90



1x

13 700 845-00



LISSÉ eSET Touchfree Basin mixer without pop-up waste without temperature setting - Chrome

LISSÉ

ST 010 100 2845

ST 010 100 2845



Fits: IMO, LULU, MADISON, MEM, TARA, CL.1, LISSE, VAIA, META, CYO

- automatic hygiene flush
 - suitable for thermal disinfection
 - adjustable follow-up time
 - high-frequency sensors with self-calibration
 - magnetic valve
 - 100-240 V AC / 12 V DC, 50-60 Hz, 18 W power supply unit, incl. country-specific adapter set
- Cannot be combined with basins in conducting materials (e.g. steel, river stone).
Cannot be combined with basins that have a closing drain.**
ATTENTION: Separate terms and conditions for electronic articles are applicable.

Cannot be combined with basins in conducting materials (e.g. steel, river stone).

Cannot be combined with basins that have a closing drain.

ATTENTION: Separate terms and conditions for electronic articles are applicable.

Required miscellaneous



eSET Touchfree Basin mixer without temperature setting for combining with free-standing fittings -

35 742 970 90

Required miscellaneous



eSET Touchfree Basin mixer without temperature setting for combining with wall-mounted fittings -

35 743 970 90

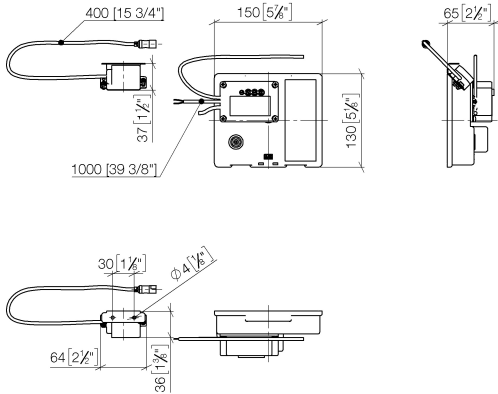
- min. recess depth 90 mm
- max. recess depth 125 mm

Recommended miscellaneous

Extension for Touchfree 500 mm - 12 765 970 90



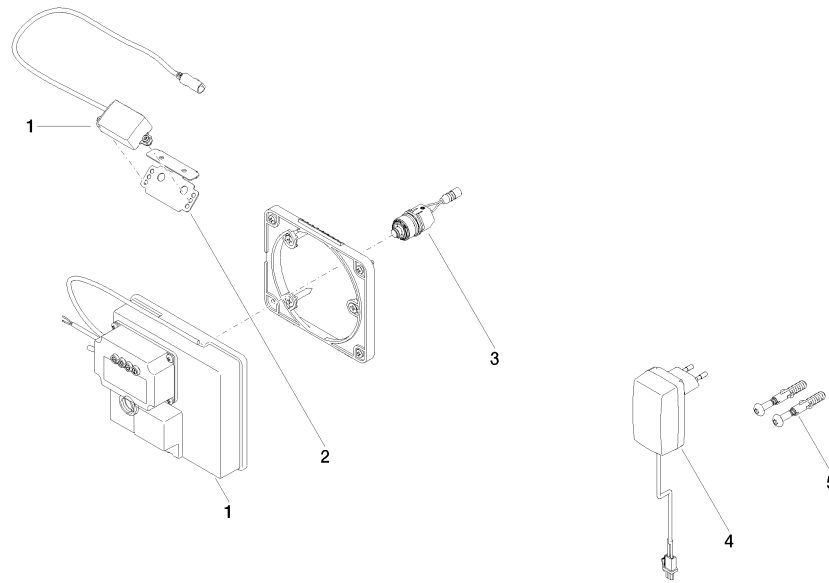
ST 010 100 2845
mm [inches]



Certificates

| | | | | |
|------------|---------------|------------|---|---|
| LGA_29120. | WRAS_1906116. | IAPMO_EGS. | CE000001_eSet_Tou chfree_20171206_D E_signed. | CE000002_eSet_Tou chfree_20171206_E N_signed. |
| LGA_29119. | | | | |

ST 010 100 2845



Spare parts list

| No. | Item Number | Name | Quantity used | Delivery time |
|-----|--------------------|------------------------|---------------|---------------|
| 1 | 90 10 01 177 00 90 | electronic accessories | 1 | 2 |
| 2 | 90 17 20 199 00 90 | holder | 1 | 2 |
| 3 | 04 30 50 079 00 90 | valve | 1 | 2 |
| 4 | 04 10 01 050 00 90 | power supply | 1 | 60 |
| 5 | 04 30 31 024 01 90 | fixing set | 1 | 2 |

LISSÉ eSET Touchfree Basin mixer without pop-up waste without temperature setting - Chrome

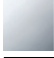
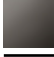


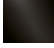
LISSÉ

ST 010 100 2845



- 130mm projection
- fixed spout
- circular, air-enriched flow
- height of mixer 95 mm
- height up to aerator 75 mm
- hole diameter 35 mm
- 1/2" connection
- max. flow 5.7 l/min
- lead-free
- This product can help a building meet the requirements of Green Building Rating Systems, e.g. LEED®, BREEAM®, DGNB

For Touchfree control please order eSet Touchfree WITH or WITHOUT temperature adjustment

| | | |
|--|-----------------------|---------------|
|  | Chrome | 13 700 845-00 |
|  | Dark Chrome | 13 700 845-19 |
|  | Matte Black | 13 700 845-33 |
|  | Brushed Chrome | 13 700 845-93 |
|  | Brushed Dark Platinum | 13 700 845-99 |

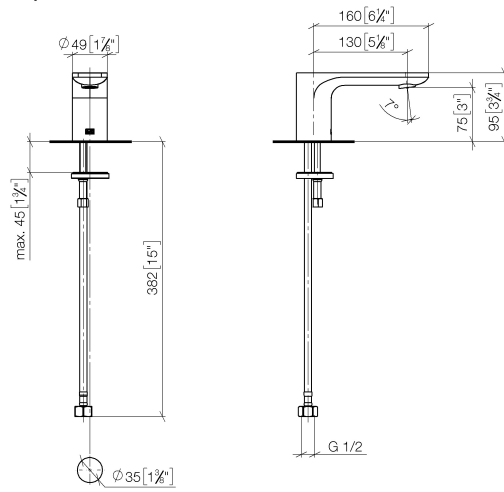


LISSÉ eSET Touchfree Basin mixer without pop-up waste without temperature setting - Chrome

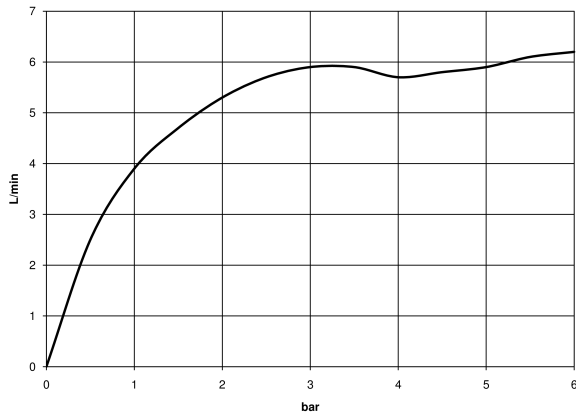
LISSÉ

ST 010 100 2845

ST 010 100 2845
mm [inches]

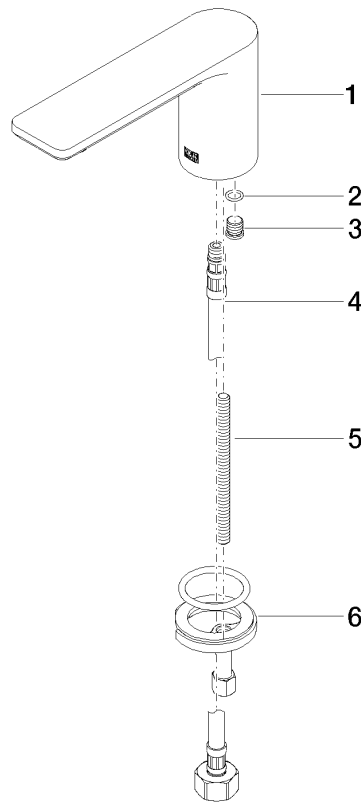


Flow rate chart



Certificates

LGA_29120. IAPMO_N-4976. WRAS_1909064. IAPMO_4976 (4). IAPMO_6397.



Spare parts list

| No. | Item Number | Name | Quantity used | Delivery time |
|-----|--------------------|------------|---------------|---------------|
| 1 | 90 11 84 015 00-00 | spout | 1 | 10 |
| 2 | 90 14 10 060 00 90 | seal | 1 | 2 |
| 3 | 09 31 20 065 90 | plug | 1 | 2 |
| 4 | 04 30 04 019 00 90 | hose | 1 | 2 |
| 5 | 09 31 11 012 90 | pin | 1 | 2 |
| 6 | 04 30 11 038 75 90 | fixing set | 1 | 2 |