

ST 110 101 0680



- 235mm projection
- pivotable spout 360°
- air-enriched flow and spray flow
- automatic spout/shower diverter
- height of mixer 345 mm
- height up to aerator 319 mm
- individual rosette 55 x 55 mm
- hole diameter spout 35 mm
- single-lever mixer hole diameter 44 mm
- hole diameter rinsing spray 32mm
- fabric braided hose 1500 mm
- sprayface with anti-scaling system
- max. flow 8 l/min at 3 bar flow pressure
- lead-free
- This product can help a building meet the requirements of Green Building Rating Systems, e.g. LEED®, BREEAM®, DGNB

| | | |
|--|--------------------------------|--------------------|
|  | Chrome | ST 110 101 0680-00 |
|  | Brushed Platinum | ST 110 101 0680-06 |
|  | Platinum | ST 110 101 0680-08 |
|  | Dark Chrome | ST 110 101 0680-19 |
|  | Brushed Durabronze (23kt Gold) | ST 110 101 0680-28 |
|  | Brushed Champagne (22kt Gold) | ST 110 101 0680-46 |
|  | Champagne (22kt Gold) | ST 110 101 0680-47 |
|  | Brushed Dark Platinum | ST 110 101 0680-99 |

Individual components of this set

You need the following components for this set



1x 32 800 680-00



1x 27 722 970-00



LOT Two-hole mixer with individual rosettes with rinsing spray set - Chrome

LOT

ST 110 101 0680

ST 110 101 0680



- 235mm projection
- pivotable spout 360°
- air-enriched flow
- height of mixer 345 mm
- height up to aerator 319 mm
- individual rosette 55 x 55 mm
- hole diameter spout 35 mm
- single-lever mixer hole diameter 44 mm
- max. flow 8 l/min at 3 bar flow pressure
- lead-free
- WRAS 1909073
- This product can help a building meet the requirements of Green Building Rating Systems, e.g. LEED®, BREEAM®, DGNB

Operating unit can be positioned freely.

| | | |
|--|--------------------------------|---------------|
|  | Chrome | 32 800 680-00 |
|  | Brushed Platinum | 32 800 680-06 |
|  | Platinum | 32 800 680-08 |
|  | Dark Chrome | 32 800 680-19 |
|  | Brushed Durabronze (23kt Gold) | 32 800 680-28 |
|  | Brushed Champagne (22kt Gold) | 32 800 680-46 |
|  | Champagne (22kt Gold) | 32 800 680-47 |
|  | Brushed Dark Platinum | 32 800 680-99 |

Recommended miscellaneous

Strainer waste with control handle - Chrome 10 711 970-00

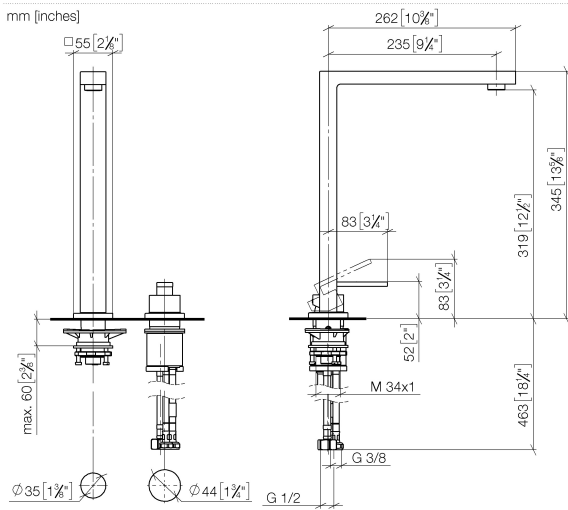


Recommended miscellaneous

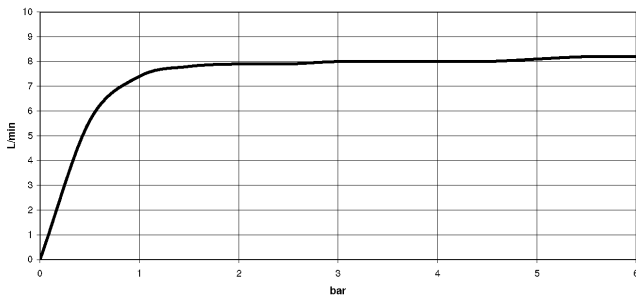
Dispenser with rosette - Chrome 82 439 970-00



ST 110 101 0680



Flow rate chart



Certificates

LGA_18258.

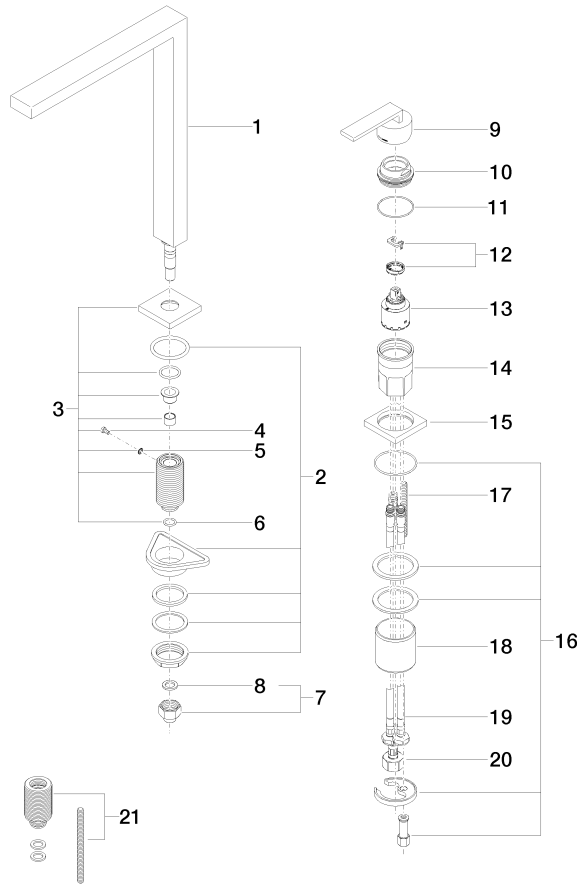
GDV_0400283.

LGA_18886.

WRAS_1909073.

ETA_18986.

ST 110 101 0680



Spare parts list

| No. | Item Number | Name | Quantity used | Delivery time |
|-----|--------------------|-----------------|---------------|---------------|
| 1 | 90 11 06 188 06-00 | spout | 1 | 10 |
| 2 | 04 23 10 044 01 90 | fixing set | 1 | 2 |
| 3 | 90 27 78 023 00-00 | rosette | 1 | 10 |
| 4 | 09 30 30 057 90 | screw | 1 | 2 |
| 5 | 09 30 11 028 90 | disc | 1 | 2 |
| 6 | 90 14 10 077 00 90 | seal | 1 | 2 |
| 7 | 04 24 04 166 10 90 | nipple | 1 | 2 |
| 8 | 90 14 20 002 00 90 | seal | 1 | 2 |
| 9 | 90 20 78 040 00-00 | handle | 1 | 10 |
| 10 | 09 24 04 142-00 | nut | 1 | 10 |
| 11 | 09 14 10 108 90 | seal | 1 | 2 |
| 12 | 90 28 10 148 00 90 | accessories | 1 | 2 |
| 13 | 90 15 05 061 00 90 | cartridge | 1 | 60 |
| 14 | 09 30 01 100 10 90 | sleeve | 1 | 2 |
| 15 | 09 27 78 007-00 | rosette | 1 | 10 |
| 16 | 04 30 11 038 02 90 | fixing set | 1 | 2 |
| 17 | 09 31 11 011 90 | pin | 1 | 2 |
| 18 | 09 18 40 079 90 | sleeve | 1 | 2 |
| 19 | 04 30 04 104 00 90 | hose | 2 | 2 |
| 20 | 04 30 04 019 00 90 | hose | 1 | 2 |
| 21 | 12 802 970 90 | Extension set - | 1 | 60 |

ST 110 101 0680



- with angular rosette
- spray flow
- automatic spout/shower diverter
- height of mixer 189 mm
- hole diameter rinsing spray 32mm
- fabric braided hose 1500 mm
- sprayface with anti-scaling system
- lead-free

Can only be combined with 32800680, 32843680.

Intrinsic protection against back flow.

| | | |
|--|-------------------------------|---------------|
|  | Chrome | 27 722 970-00 |
|  | Brushed Platinum | 27 722 970-06 |
|  | Platinum | 27 722 970-08 |
|  | Durabross (23kt Gold) | 27 722 970-09 |
|  | Dark Chrome | 27 722 970-19 |
|  | Brushed Durabross (23kt Gold) | 27 722 970-28 |
|  | Brushed Champagne (22kt Gold) | 27 722 970-46 |
|  | Champagne (22kt Gold) | 27 722 970-47 |
|  | Brushed Chrome | 27 722 970-93 |
|  | Brushed Dark Platinum | 27 722 970-99 |



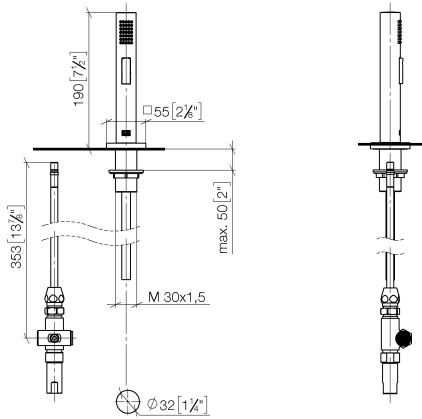
LOT Two-hole mixer with individual rosettes with rinsing spray set - Chrome

LOT

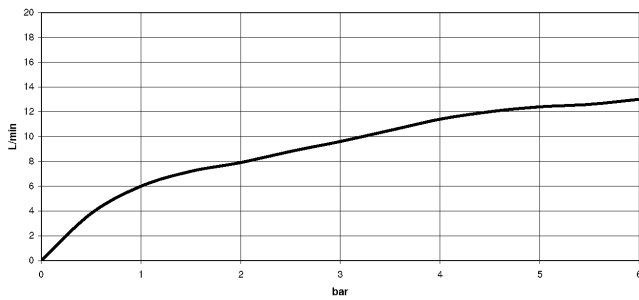
ST 110 101 0680

ST 110 101 0680

mm [inches]



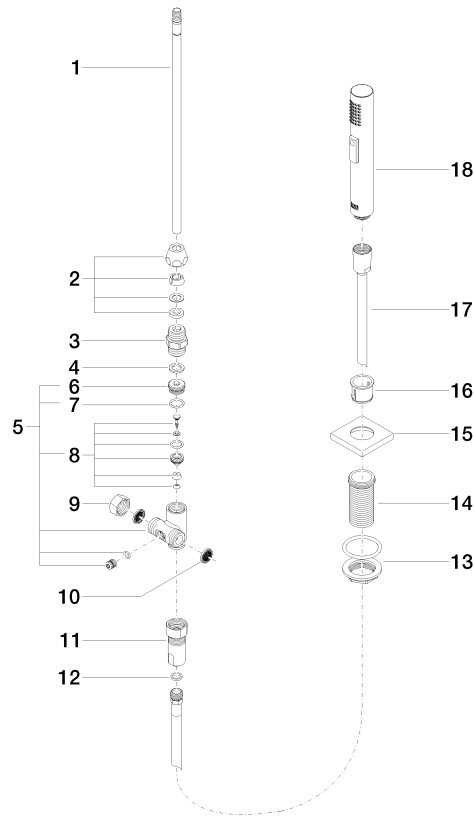
Flow rate chart



Certificates

Belgaqua_21-027-27_3. IAPMO_N-4976 (2). LGA_29572. IAPMO_6397. LGA_38645.

ST 110 101 0680



Spare parts list

| No. | Item Number | Name | Quantity used | Delivery time |
|-----|--------------------|--------------------|---------------|---------------|
| 1 | 04 24 02 046 01-07 | pipe | 1 | 10 |
| 2 | 90 23 30 040 00-00 | threaded connector | 1 | 10 |
| 3 | 90 24 03 168 00 90 | nipple | 1 | 2 |
| 4 | 90 14 20 002 00 90 | seal | 1 | 2 |
| 5 | 90 17 09 046 10 90 | diverter | 1 | 2 |
| 6 | 09 24 04 112 10 90 | nipple | 1 | 2 |
| 7 | 90 14 10 033 00 90 | seal | 1 | 2 |
| 8 | 90 21 10 031 10 90 | diverter | 1 | 2 |
| 9 | 04 21 02 006 00 92 | cap | 1 | 2 |
| 10 | 09 23 01 039 90 | sieve | 2 | 2 |
| 11 | 90 24 03 241 00 90 | nipple | 1 | 2 |
| 12 | 90 14 20 019 00 90 | seal | 1 | 2 |
| 13 | 04 23 10 032 46 90 | fixing set | 1 | 2 |
| 14 | 09 30 01 090-07 | sleeve | 1 | 30 |
| 16 | 90 18 40 085 00 90 | sleeve | 1 | 2 |
| 17 | 90 30 02 062 00-00 | hose | 1 | 2 |
| 18 | 04 12 11 158 00-00 | shower | 1 | 10 |