

**WATER FALL Cascade spout for wall mounting - Light Gold**

IMO

13 420 979



- 120mm projection
- CASCADE, max. flow rate 26.5 l/min (at 3 bar)
- cover plate 240 x 60 mm
- 1/2" connection
- plug-link mounting
- WRAS 2111005

Fits: IMO, LULU, MADISON, MEM, TARA, CL.1, LISSÉ, VAIA, META, CYO

	Light Gold	13 420 979-26
	Chrome	13 420 979-00
	Brushed Platinum	13 420 979-06
	Platinum	13 420 979-08
	Dark Chrome	13 420 979-19
	Brushed Light Gold	13 420 979-27
	Brushed Durabronze (23kt Gold)	13 420 979-28
	Matte Black	13 420 979-33
	Brushed Bronze	13 420 979-42
	Brushed Champagne (22kt Gold)	13 420 979-46
	Champagne (22kt Gold)	13 420 979-47
	Brushed Chrome	13 420 979-93

**Recommended miscellaneous**



**Concealed wall elbow -**

- min. recess depth 90 mm
- max. recess depth 163 mm

35 085 970 90

**Recommended miscellaneous**



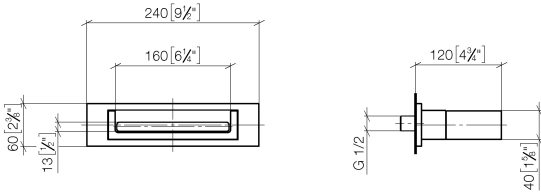
**Concealed wall elbow -**

- min. recess depth 90 mm
- max. recess depth 163 mm

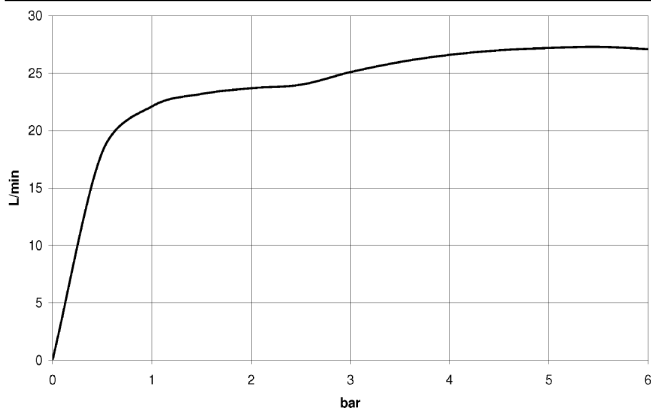
35 085 970 90

13 420 979

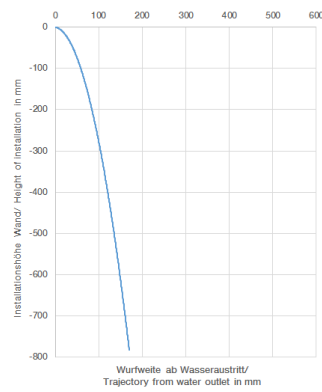
mm [inches]



**Flow rate chart**



**Trajectory diagram**



**Codes & Standards**

DIN 4109

ISO 3822

Ü-Zeichen



## WATER FALL Cascade spout for wall mounting - Light Gold

---

IMO

13 420 979

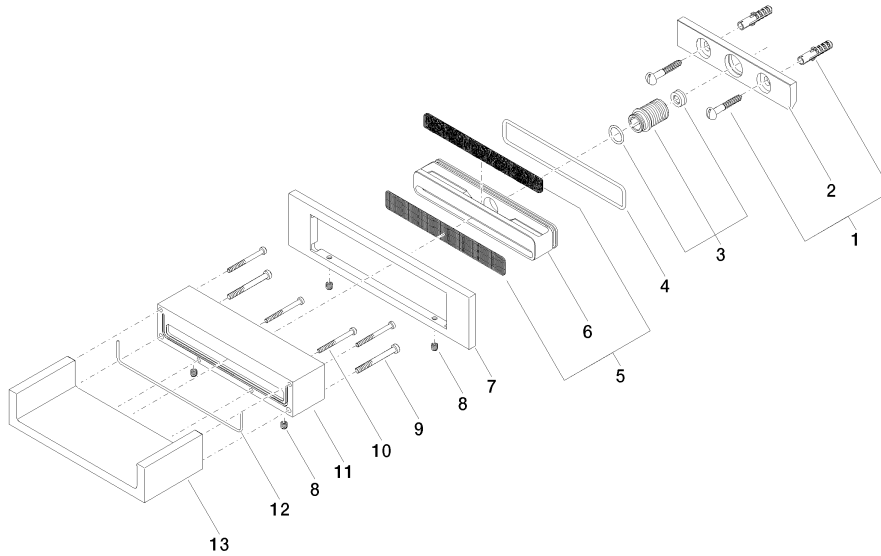
Certificates

---

LGA\_18

13 420 979

Product version from 4/1/2023





# WATER FALL Cascade spout for wall mounting - Light Gold

IMO

13 420 979

## Spare parts list

### Product version from 4/1/2023

No.	Item Number	Name	Quantity used	Delivery time
	04 30 31 024 01 90	fixing set	20	2