

17 861 680



- 145mm projection
 - rigid, thermally insulated spout
 - laminar flow
 - height of mixer 233 mm
 - height up to laminar flow regulator 213 mm
 - hole diameter 35 mm
 - provides filtered, hot water up to 93°C
 - provides filtered, cold water
 - max. flow 2 l/min at 3 bar flow pressure
 - ready-to-use control unit for wall mounting (137mm x 159mm x 60mm)
 - electronic magnetic valve
 - 100-230 V, 50-60 Hz, 18 W power supply unit, incl. country-specific adapter set
 - lead-free
 - Spout ring cannot be removed.
 - This product can help a building meet the requirements of Green Building Rating Systems, e.g. LEED®, BREEAM®, DGNB
- A minimum flow pressure of 3 bar is necessary for the HOT & COLD WATER DISPENSER to work perfectly in conjunction with a hot water tank and filter.**
In addition, the installation must be above a kitchen sink.
The filter cartridge must be changed every six months. The installation instructions contain further information for guidance.
Detailed planning information and technical data can be found at www.dornbracht.com/professional

A minimum flow pressure of 3 bar is necessary for the HOT & COLD WATER DISPENSER to work perfectly in conjunction with a hot water tank and filter.

In addition, the installation must be above a kitchen sink.

The filter cartridge must be changed every six months. The installation instructions contain further information for guidance.

Detailed planning information and technical data can be found at www.dornbracht.com/professional

| | | |
|--|-------------------------------|---------------|
| | Dark Chrome | 17 861 680-19 |
| | Chrome | 17 861 680-00 |
| | Brushed Platinum | 17 861 680-06 |
| | Platinum | 17 861 680-08 |
| | Brushed Durabronz (23kt Gold) | 17 861 680-28 |
| | Brushed Champagne (22kt Gold) | 17 861 680-46 |
| | Champagne (22kt Gold) | 17 861 680-47 |
| | Brushed Dark Platinum | 17 861 680-99 |

Required miscellaneous



Hot water tank incl. filter - 12 892 970 90

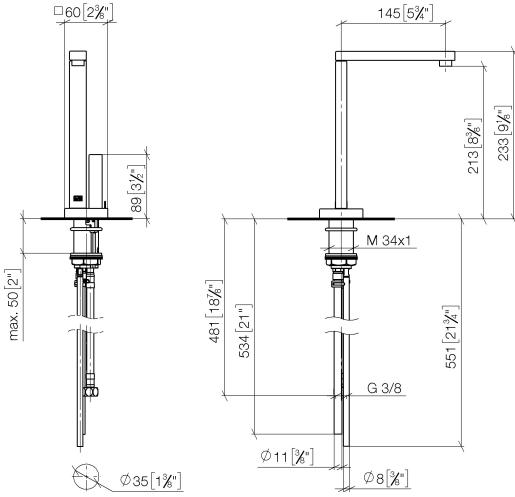


LOT HOT & COLD WATER DISPENSER - Dark Chrome

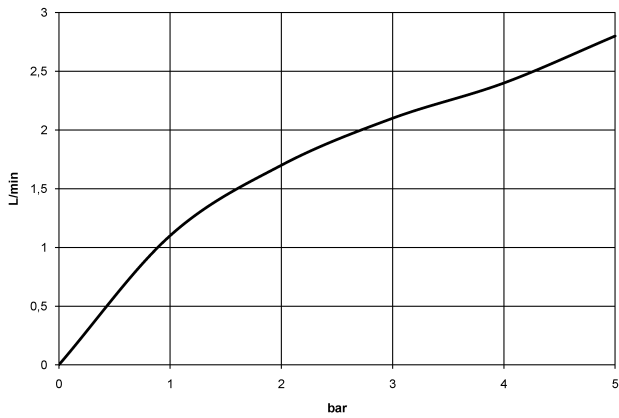
LOT

17 861 680

mm [inches]



Flow rate chart



Codes & Standards

NSF372

NSF61



LOT HOT & COLD WATER DISPENSER - Dark Chrome

LOT

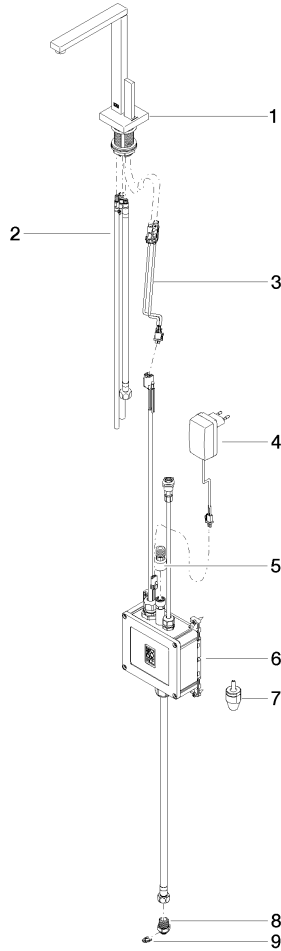
17 861 680

Certificates

IAPMO_N-4

IAPMO_6

17 861 680





LOT HOT & COLD WATER DISPENSER - Dark Chrome

LOT

17 861 680

Spare parts list