

**VAIA Three-hole bridge mixer Pull-down with spray function - Brushed Champagne (22kt Gold)**

VAIA

19 875 809



- 240mm projection
- pivotable spout 360°
- Optional swivel limiter available with swivel limiter set 12 823 970 90
- air-enriched flow and spray flow
- 1800 mm metal shower hose
- sprayface with anti-scaling system
- max. flow 8 l/min at 3 bar flow pressure
- lead-free
- This product can help a building meet the requirements of Green Building Rating Systems, e.g. LEED®, BREEAM®, DGNB

Intrinsic protection against back flow.

|  |                               |               |
|--|-------------------------------|---------------|
|  | Brushed Champagne (22kt Gold) | 19 875 809-46 |
|  | Chrome                        | 19 875 809-00 |
|  | Brushed Platinum              | 19 875 809-06 |
|  | Platinum                      | 19 875 809-08 |
|  | Durabrand (23kt Gold)         | 19 875 809-09 |
|  | Dark Chrome                   | 19 875 809-19 |
|  | Brushed Durabrand (23kt Gold) | 19 875 809-28 |
|  | Matte Black                   | 19 875 809-33 |
|  | Champagne (22kt Gold)         | 19 875 809-47 |
|  | Brushed Chrome                | 19 875 809-93 |
|  | Brushed Dark Platinum         | 19 875 809-99 |

**Recommended miscellaneous**



**Swivel limitation set -**

12 823 970 90

**Recommended miscellaneous**



**VAIA Dispenser with rosette -  
Brushed Champagne (22kt Gold)**

82 434 809-46

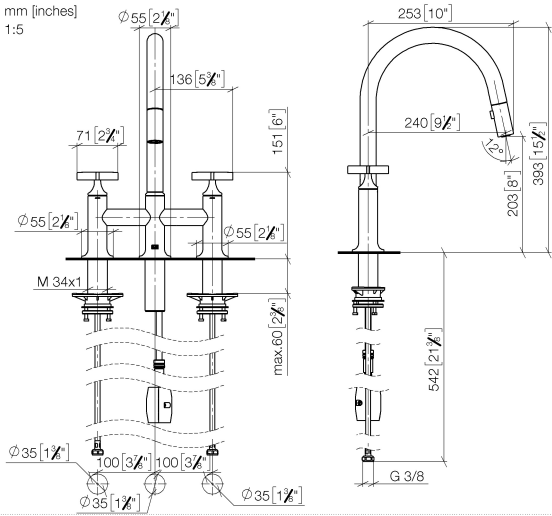
**VAIA Three-hole bridge mixer Pull-down with spray function - Brushed Champagne (22kt Gold)**

VAIA

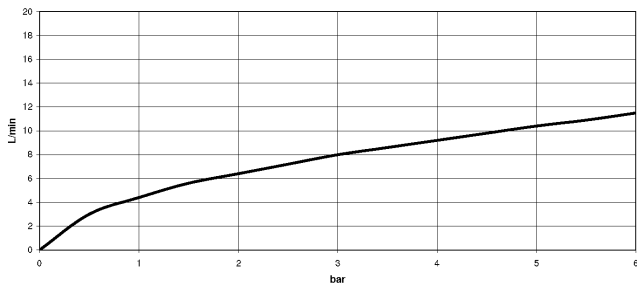
19 875 809

mm [inches]

1:5



**Flow rate chart**



**Codes & Standards**

DIN 4109

EN 1717

ISO 3822

Ü-Zeichen



VAIA Three-hole bridge mixer Pull-down with spray function - Brushed  
Champagne (22kt Gold)

---

VAIA

19 875 809

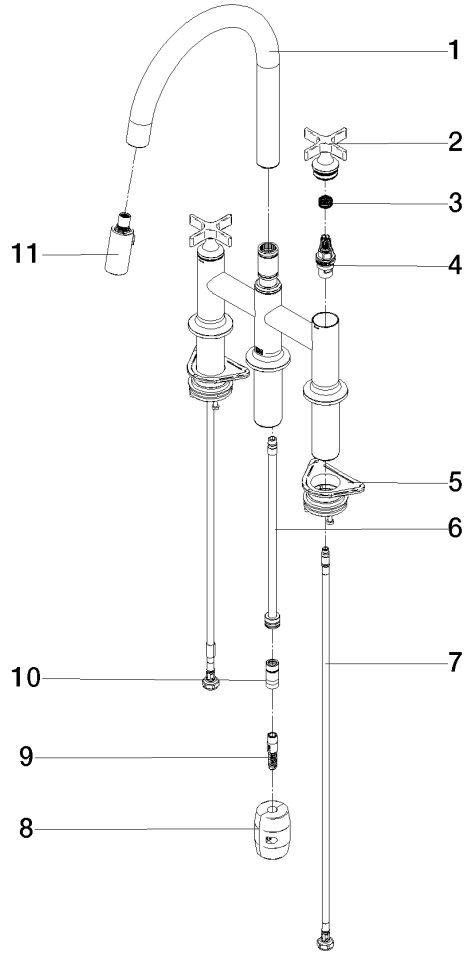
Certificates

---

Belgaqua\_24-005-2 LGA\_38

19 875 809

Product version from 7/1/2023





VAIA Three-hole bridge mixer Pull-down with spray function - Brushed  
Champagne (22kt Gold)

VAIA

19 875 809

**Spare parts list**

**Product version from 7/1/2023**

| No. | Item Number        | Name  | Quantity used | Delivery time |
|-----|--------------------|-------|---------------|---------------|
|     | 90 28 22 397 00-46 | spout | 16            | 30            |