

**MEM Three-hole basin mixer with pop-up waste - Chrome**

MEM

20 705 782



- 165mm projection
- fixed spout
- rectangular, air-enriched flow
- height of mixer 144 mm
- height up to aerator 78 mm
- hole diameter spout 35 mm
- hole diameter valve 32 mm
- rosette 60 x 60 mm
- 2x screw-in M 10 x 1 pressure hose, leak-tested
- max. flow 5.7 l/min
- lead-free
- This product can help a building meet the requirements of Green Building Rating Systems, e.g. LEED®, BREEAM®, DGNB

Only suitable for basins with an overflow.

|   |                                |               |
|---|--------------------------------|---------------|
|  | Chrome                         | 20 705 782-00 |
|  | Brushed Platinum               | 20 705 782-06 |
|  | Platinum                       | 20 705 782-08 |
|  | Dark Chrome                    | 20 705 782-19 |
|  | Brushed Durabronze (23kt Gold) | 20 705 782-28 |
|  | Brushed Champagne (22kt Gold)  | 20 705 782-46 |
|  | Champagne (22kt Gold)          | 20 705 782-47 |
|  | Brushed Dark Platinum          | 20 705 782-99 |

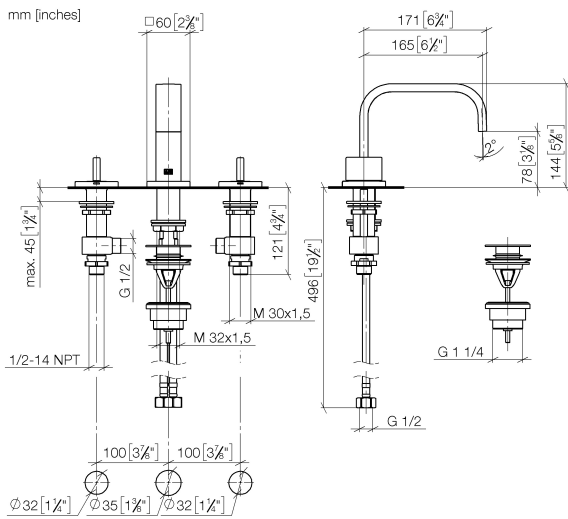
**Recommended miscellaneous**



**High pressure hoses -**  
 • 2x 3/8" x 1/2" x 500mm high pressure hose

12 506 970 90

20 705 782



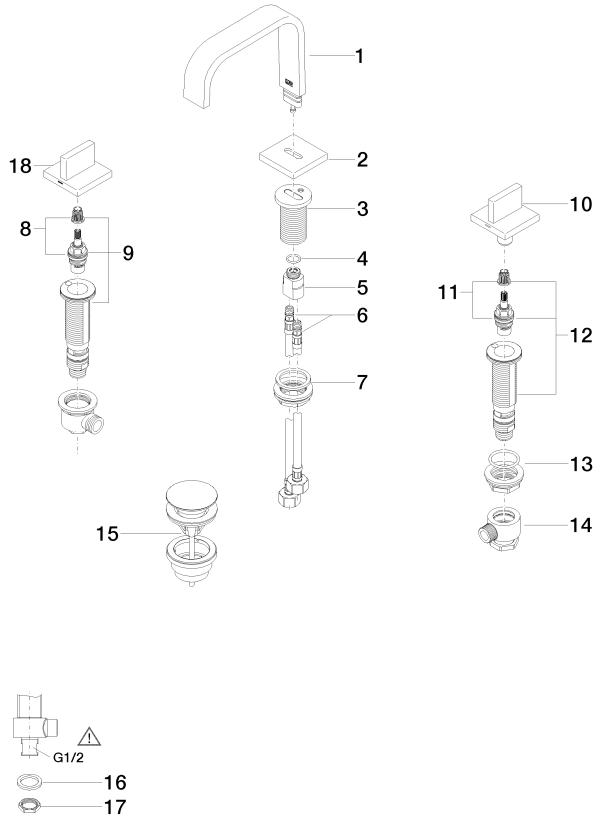
**Flow rate chart**



**Certificates**

LGA\_38450.      GDV\_0400289.      WRAS\_240102004.

20 705 782



**Spare parts list**

| No. | Item Number        | Name  | Quantity used | Delivery time |
|-----|--------------------|---|---------------|---------------|
| 1   | 90 28 22 359 00-00 | spout   | 1             | 10            |
| 2   | 09 27 78 034-00    | rosette   | 1             | 10            |
| 3   | 09 11 10 054 10 90 | connection                                      | 1             | 2             |
| 4   | 09 14 10 130 90    | seal  | 1             | 2             |
| 5   | 09 11 10 055 10 90 | connection                                      | 1             | 2             |
| 6   | 04 30 04 019 00 90 | hose  | 2             | 2             |
| 7   | 04 23 10 009 01 90 | fixing set                                      | 1             | 2             |
| 8   | 90 90 03 152 00 90 | top   | 1             | 2             |
| 9   | 04 17 11 058 52 90 | side panel                                      | 1             | 2             |
| 10  | 90 20 78 002 04-00 | handle ( cold )                                 | 1             | 10            |
| 11  | 90 90 03 153 00 90 | top   | 1             | 2             |
| 12  | 04 17 11 058 53 90 | side panel                                      | 1             | 2             |
| 13  | 04 23 10 032 78 90 | fixing set                                      | 2             | 2             |
| 14  | 04 17 11 023 10 90 | distributor                                     | 2             | 2             |
| 15  | 10 125 970-00      | Basin Waste with push fastening 1 1/4" - Chrome | 1             | 2             |
| 16  | 09 30 11 059 90    | disc  | 2             | 2             |
| 17  | 09 23 10 012 90    | nut   | 2             | 2             |
| 18  | 90 20 78 002 05-00 | handle ( hot )                                  | 1             | 10            |