

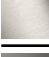






20 713 811

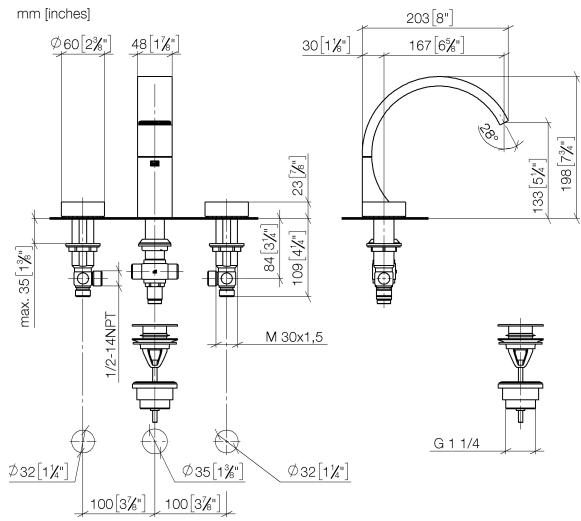


- 167mm projection
- fixed spout
- rectangular, air-enriched flow
- height of mixer 198 mm
- height up to aerator 133 mm
- hole diameter spout 35 mm
- hole diameter valve 32 mm
- handle Ø 60mm
- max. flow 4.5 l/min
- lead-free
- This product can help a building meet the requirements of Green Building Rating Systems, e.g. LEED®, BREEAM®, DGNB
- WRAS 2111022

NOTE: The handle inserts must be ordered separately from the fittings!

	Platinum / Brushed Platinum	20 713 811-36
	Chrome	20 713 811-00
	Brushed Platinum	20 713 811-06
	Dark Chrome	20 713 811-19
	Brushed Durabress (23kt Gold)	20 713 811-28
	Durabress / Brushed Durabress (23kt Gold)	20 713 811-38
	Brushed Dark Platinum	20 713 811-99

20 713 811



Flow rate chart



Codes & Standards

DIN 4109

ISO 3822

Scottish Water
Byelaws

UK Water Supply
Regulations

Ü-Zeichen



CYO Three-hole basin mixer with pop-up waste - Platinum / Brushed Platinum

CYO

20 713 811

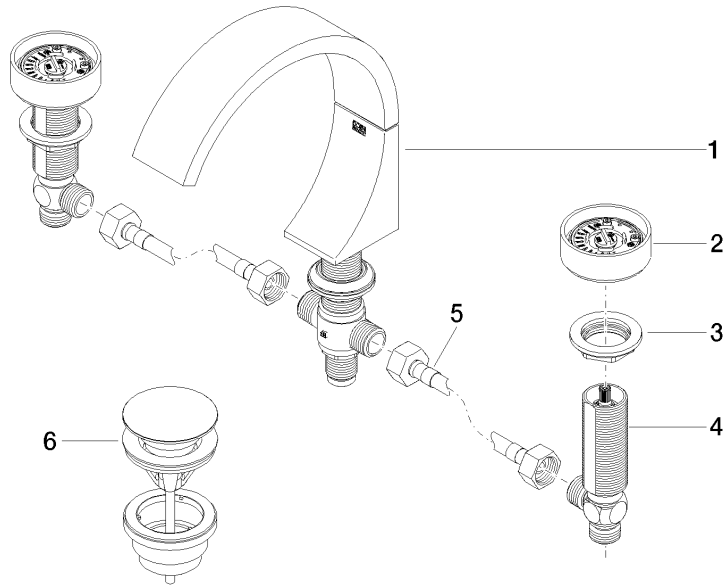
Certificates

WRAS_2111

LGA_38

20 713 811

Parts for other finishes can be found here: [Chrome](#)





CYO Three-hole basin mixer with pop-up waste - Platinum / Brushed Platinum

CYO

20 713 811

Spare parts list

No.	Item Number	Name	Quantity used	Delivery time
	13 717 811-36	CYO Deck-mounted basin spout without pop-up waste - Platinum / Brushed Platinum	10	20