

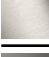



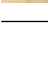


20 713 811

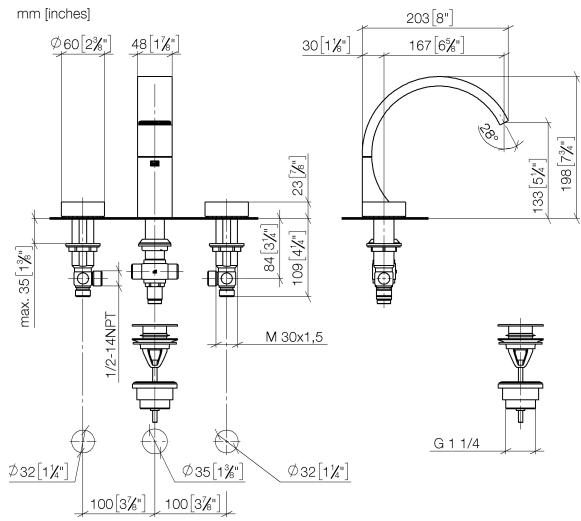


- 167mm projection
- fixed spout
- rectangular, air-enriched flow
- height of mixer 198 mm
- hole diameter spout 35 mm
- hole diameter valve 32 mm
- handle Ø 60mm
- max. flow 4.5 l/min
- lead-free
- This product can help a building meet the requirements of Green Building Rating Systems, e.g. LEED®, BREEAM®, DGNB
- WRAS 2111022

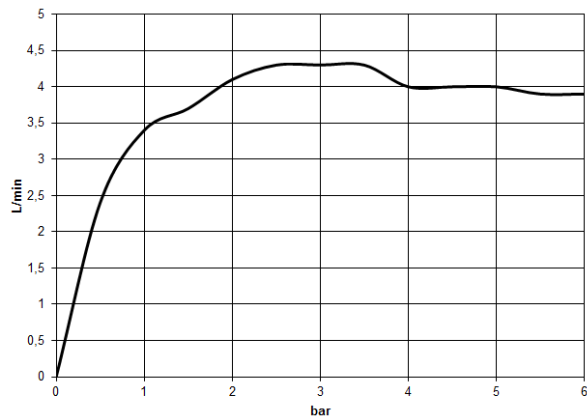
NOTE: The handle inserts must be ordered separately from the fittings!

	Brushed Dark Platinum	20 713 811-99
	Chrome	20 713 811-00
	Brushed Platinum	20 713 811-06
	Dark Chrome	20 713 811-19
	Brushed Durabress (23kt Gold)	20 713 811-28
	Platinum / Brushed Platinum	20 713 811-36
	Durabress / Brushed Durabress (23kt Gold)	20 713 811-38

20 713 811



**Flow rate chart**



**Codes & Standards**

DIN 4109

ISO 3822

Scottish Water  
Byelaws

UK Water Supply  
Regulations

**Ü-Zeichen**



CYO Three-hole basin mixer with pop-up waste - Brushed Dark Platinum

---

CYO

20 713 811

Certificates

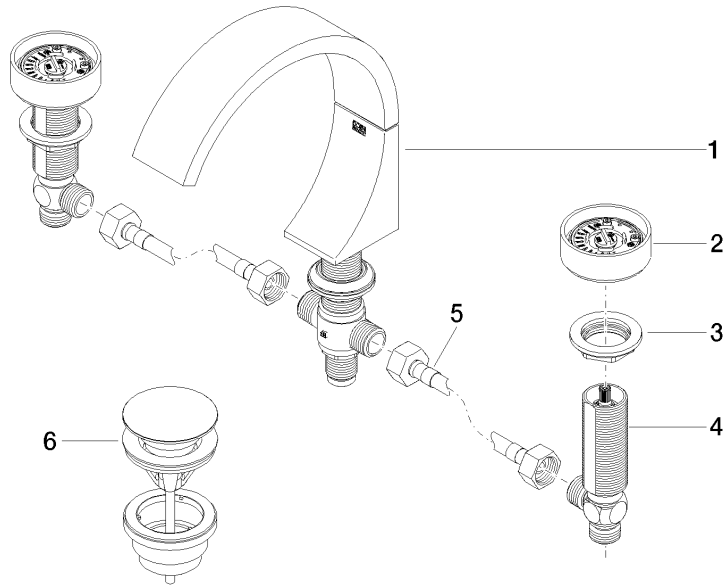
---

WRAS\_2111

LGA\_38

20 713 811

Parts for other finishes can be found here: [Chrome](#)





## CYO Three-hole basin mixer with pop-up waste - Brushed Dark Platinum

CYO

20 713 811

### Spare parts list

No.	Item Number	Name	Quantity used	Delivery time
	13 717 811-99	CYO Deck-mounted basin spout without pop-up waste - Brushed Dark Platinum	10	30