

**TARA Three-hole mixer - Brushed Durabron (23kt Gold)**

TARA

20 815 892



- 235mm projection
- pivotable spout 360°
- air-enriched flow
- height of mixer 370 mm
- height up to aerator 212 mm
- hole diameter spout 35 mm
- hole diameter valve 32 mm
- max. flow 7 l/min at 3 bar flow pressure
- lead-free
- This product can help a building meet the requirements of Green Building Rating Systems, e.g. LEED®, BREEAM®, DGNB
- WRAS 2107052

	Brushed Durabron (23kt Gold)	20 815 892-28
	Chrome	20 815 892-00
	Brushed Platinum	20 815 892-06
	Platinum	20 815 892-08
	Durabron (23kt Gold)	20 815 892-09
	Dark Chrome	20 815 892-19
	Matte Black	20 815 892-33
	Brushed Champagne (22kt Gold)	20 815 892-46
	Champagne (22kt Gold)	20 815 892-47
	Brushed Chrome	20 815 892-93
	Brushed Dark Platinum	20 815 892-99

**Recommended miscellaneous**

**Strainer waste with control handle - Brushed Durabron (23kt Gold)** 10 710 970-28

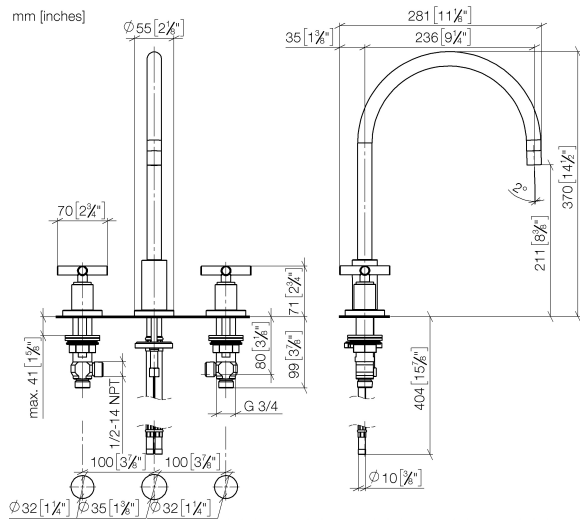


**Recommended miscellaneous**

**Dispenser with rosette - Brushed Durabron (23kt Gold)** 82 444 970-28



20 815 892



**Flow rate chart**



**Codes & Standards**

DIN 4109	EN 200	Executive Order no. 1007	ISO 3822
Scottish Water Byelaws	UK Water Supply Regulations	Ü-Zeichen	VA-Zeichen



TARA Three-hole mixer - Brushed Durabronz (23kt Gold)

TARA

20 815 892

Certificates

WRAS\_2107

LGA\_19

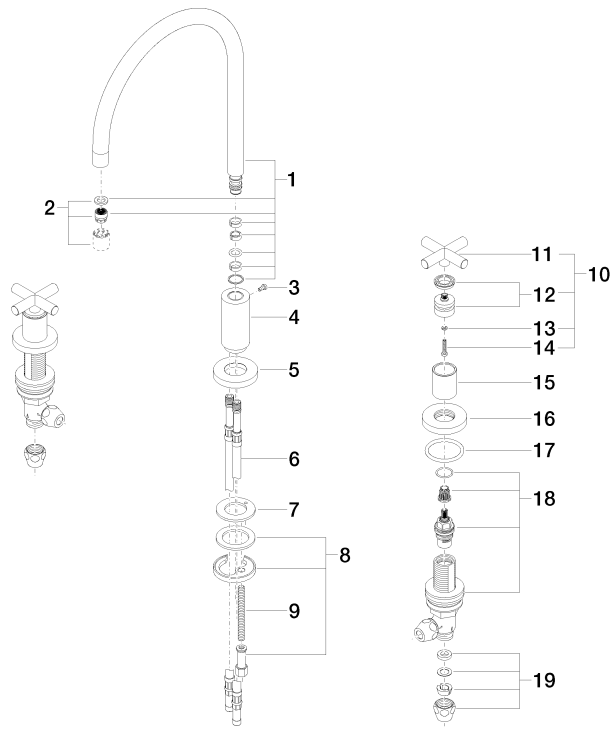
ETA\_18

GDV\_0400

20 815 892

**Product version from 6/30/2009**

Parts for other finishes can be found here: Chrome





TARA Three-hole mixer - Brushed Durabronz (23kt Gold)

TARA

20 815 892

## **Spare parts list**

**Product version from 6/30/2009**