

META Single-lever basin mixer with stand pipe without pop-up waste - Brushed Light Gold

META

22 584 660



- 196mm projection
- fixed spout
- circular, air-enriched flow
- total height 1033 - 1103 mm
- height up to aerator 951 – 1021 mm
- rosette Ø 135 mm
- max. flow 5.7 l/min
- lead-free
- This product can help a building meet the requirements of Green Building Rating Systems, e.g. LEED®, BREEAM®, DGNB
- WRAS 240102015

| | | |
|--|-------------------------------|---------------|
|  | Brushed Light Gold | 22 584 660-27 |
|  | Chrome | 22 584 660-00 |
|  | Brushed Platinum | 22 584 660-06 |
|  | Dark Chrome | 22 584 660-19 |
|  | Light Gold | 22 584 660-26 |
|  | Matte Black | 22 584 660-33 |
|  | Brushed Bronze | 22 584 660-42 |
|  | Brushed Champagne (22kt Gold) | 22 584 660-46 |
|  | Champagne (22kt Gold) | 22 584 660-47 |
|  | Brushed Chrome | 22 584 660-93 |
|  | Brushed Dark Platinum | 22 584 660-99 |

Required miscellaneous



Concealed floor mounting - 35 945 970 90
 •min. recess depth 80 mm
 •max. recess depth 150 mm

Required miscellaneous

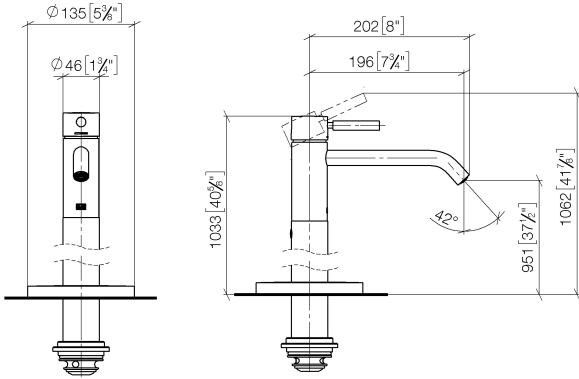


Concealed floor mounting - 35 945 970 90
 •min. recess depth 80 mm
 •max. recess depth 150 mm

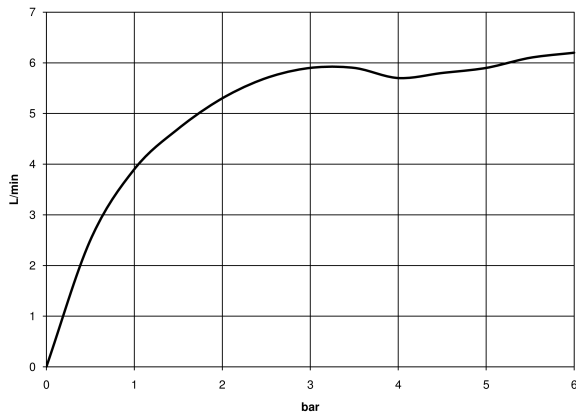
**META Single-lever basin mixer with stand pipe without pop-up waste - Brushed
Light Gold**

META

22 584 660
mm [inches]



Flow rate chart



Codes & Standards

DIN 4109

ISO 3822

Scottish Water
Byelaws

UK Water Supply
Regulations

Ü-Zeichen



META Single-lever basin mixer with stand pipe without pop-up waste - Brushed
Light Gold

META

22 584 660

Certificates

WRAS_240102

LGA_38

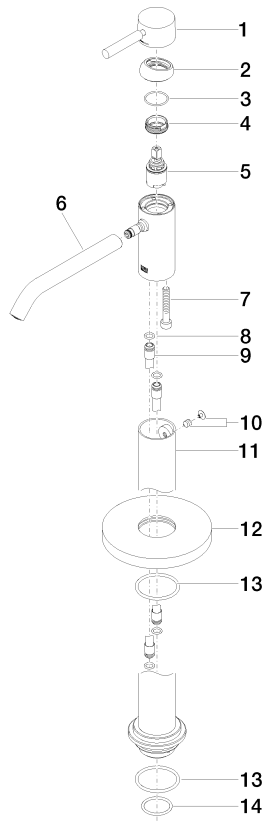


META Single-lever basin mixer with stand pipe without pop-up waste - Brushed Light Gold

META

22 584 660

Product version from 5/1/2022





**META Single-lever basin mixer with stand pipe without pop-up waste - Brushed
Light Gold**

META

22 584 660

Spare parts list

Product version from 5/1/2022

| No. | Item Number | Name | Quantity used | Delivery time |
|-----|--------------------|--------|---------------|---------------|
| | 90 20 66 002 00-27 | handle | 17 | 30 |