

META Single-lever basin mixer with stand pipe without pop-up waste - Brushed Platinum

META

22 584 661



- 202mm projection
- circular, air-enriched flow
- total height 1197 - 1267 mm
- height up to water outlet point 1098 mm
- rosette Ø 135 mm
- max. flow 5.7 l/min
- lead-free
- This product can help a building meet the requirements of Green Building Rating Systems, e.g. LEED®, BREEAM®, DGNB
- pivoting spout
- WRAS 240502021

	Brushed Platinum	22 584 661-06
	Chrome	22 584 661-00
	Dark Chrome	22 584 661-19
	Light Gold	22 584 661-26
	Brushed Light Gold	22 584 661-27
	Matte Black	22 584 661-33
	Brushed Bronze	22 584 661-42
	Brushed Champagne (22kt Gold)	22 584 661-46
	Champagne (22kt Gold)	22 584 661-47
	Brushed Chrome	22 584 661-93
	Brushed Dark Platinum	22 584 661-99

Required miscellaneous



- Concealed floor mounting -**
- max. recess depth 150 mm
 - min. recess depth 80 mm

35 945 970 90

Required miscellaneous



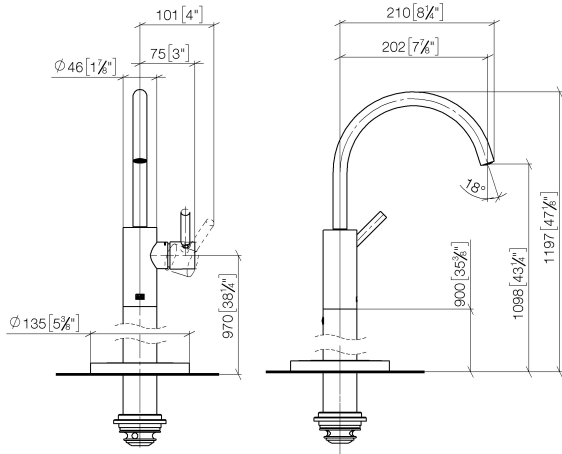
- Concealed floor mounting -**
- max. recess depth 150 mm
 - min. recess depth 80 mm

35 945 970 90

META Single-lever basin mixer with stand pipe without pop-up waste - Brushed Platinum

META

22 584 661
mm [inches]



Flow rate chart



Codes & Standards

DIN 4109

ISO 3822

Scottish Water
Byelaws

UK Water Supply
Regulations

Ü-Zeichen



**META Single-lever basin mixer with stand pipe without pop-up waste - Brushed
Platinum**

META

22 584 661
Certificates

LGA_38

WRAS_240502

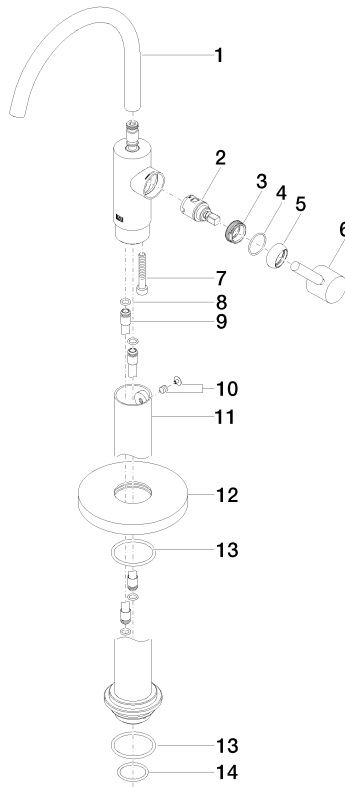


META Single-lever basin mixer with stand pipe without pop-up waste - Brushed Platinum

META

22 584 661

Product version from 5/1/2022





META Single-lever basin mixer with stand pipe without pop-up waste - Brushed Platinum

META

22 584 661

Spare parts list

Product version from 5/1/2022

No.	Item Number	Name	Quantity used	Delivery time
	90 28 22 313 00-06	spout	17	10